

Open Cell / Cell Frame Ceiling Systems



HunterDouglasContract

CEILINGS



From Design to Delivery.

Forty years ago, Hunter Douglas pioneered suspended metal ceilings. We've been hard at work ever since, creating new solutions to meet the evolving requirements of architects, designers, and construction professionals across North America, Europe, Asia, and beyond.

Open Cell and Cell Frame ceiling systems by Hunter Douglas are the most advanced in the industry. Our expertise in custom engineering enables complete flexibility, including designs for angles, curves, changes in ceiling height, and more.

Project: Shanghai South Railway Station
Location: Shanghai, China
Architect: ECADI, AREP Group
Product: Open Cell

| | |
|------------------|----|
| CAPABILITIES | 2 |
| OPEN CELL | 4 |
| DESIGN OPTIONS | 6 |
| CELL FRAME | 8 |
| LIGHTING OPTIONS | 10 |
| SUSTAINABILITY | 12 |

Unlimited Design. Unsurpassed Engineering.

检票口
TICKET ENTRANCE

Ideal solutions for highlighting or defining spaces let you design a variety of sizes and shapes. Great options for bringing color and texture to the ceiling plane, with the widest selection of patterns, colors, and configurations for lighting and other systems.

Our unique expertise enables a wide range of design possibilities. A proprietary clip suspension structure – not dependent on T-grid – allows you to create unlimited sizes and shapes.

Project: Shanghai Metro Line 5
Location: Shanghai, China
Architect: Shanghai Tunnel Engineering & Rail Transit Design & Research Institute
Product: Open Cell



Project: A&P
Location: Park Ridge, NJ
Architect: Studio 5 Partnership, Architects/Planners LLC
Product: Cell Frame – Baffle

Hunter Douglas has decades of experience in designing and manufacturing ceilings, and it shows in every detail of our products.

- Creates a clean, contemporary aesthetic; monolithic ceiling plane that masks the plenum
- Ceiling integrates seamlessly with all fixtures, whether above, below, or within the plane of the ceiling
- Enables efficient performance and easy access to air, lighting and sprinklers. The open design can also convey the feeling of a higher ceiling.
- Wide range of sizes/shapes, including curves and colors. Options include paint, metallic options and wood finishes.



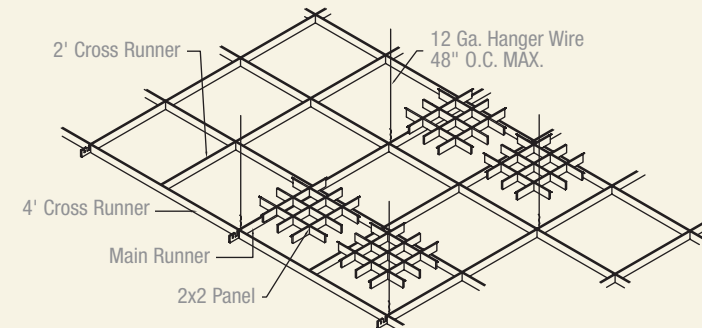
Project: Retail Space
Location: Las Vegas, NV
Architect: Pavlik Design Team
Product: Cell Frame

The Great Wide Open.

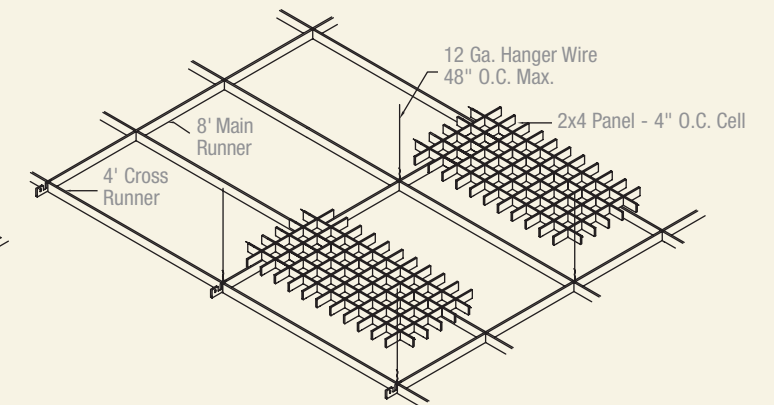
Open Cell ceilings by Hunter Douglas offer a wide selection of modules that will scale to fit specific spaces, heights, and design objectives. Create patterns or designs with Open Cell alone or in combination with Cell Frame.

Project: Savannah College of Art & Design
 Location: Savannah, GA
 Architect: Historical Preservation/SCAD
 Product: Open Cell

TYPICAL 24" X 24" OPEN CELL ISOMETRIC



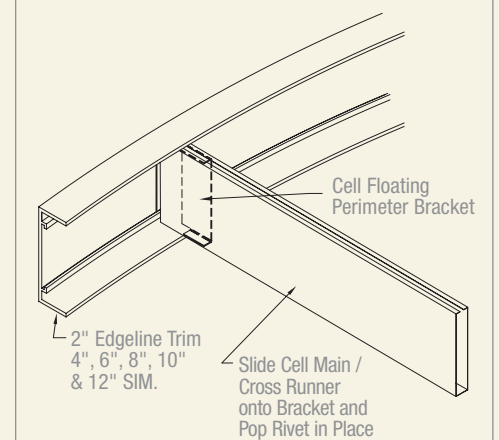
TYPICAL 24" X 48" OPEN CELL ISOMETRIC



OPEN CELL FEATURES

- Patented sliding clip on infill panels enables exclusive downward access to plenum
- Main runners and cross runners match infill panels for a monolithic appearance
- Cell configurations include square, rectangular, and patterns
- Mix or match color and/or cell configurations to create patterns or designs
- Use Open Cell alone or paired with Cell Frame for increased visual impact
- Pre-assembled, modular infill panels for ease of installation
- Perimeter trim options available, compatible with Hunter Douglas Edgeline
- Panels contain from 70% to 95% recycled content

EDGELINE TRIM OPTIONS FOR OPEN CELL & CELL FRAME

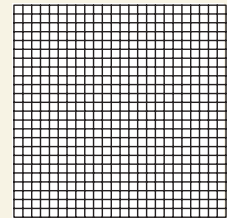


CURVED FLOATING PERIMETER - EDGELINE

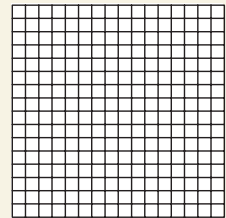
OPEN CELL DESIGNS

- Exercise your creativity with this very flexible product
- Contrasting colors available on horizontal and vertical members
- Color patterns as well as structural patterns
- Ability to establish complex patterns by blending various cell members
- Many specialty options for curves and combinations
- Custom engineering and design support available
- Mix or match color and/or cell configurations to create patterns or designs

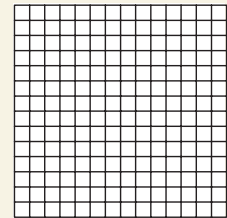
Square Designs



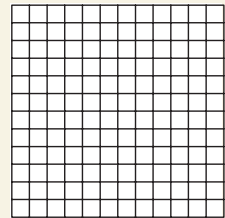
2" x 2" Cells



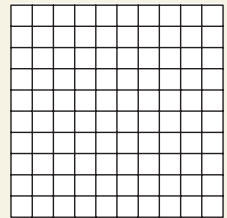
3" x 3" Cells



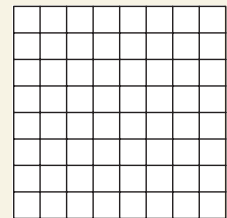
3.4" x 3.4" Cells



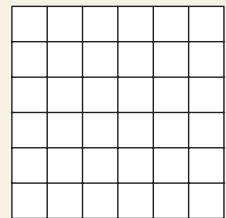
4" x 4" Cells



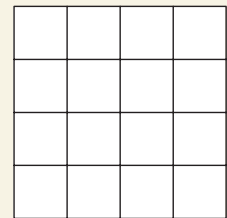
4.8" x 4.8" Cells



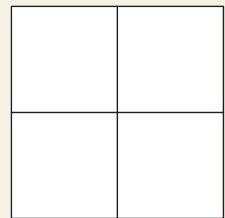
6" x 6" Cells



8" x 8" Cells

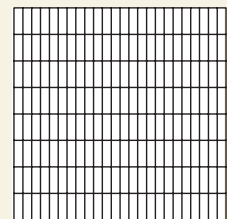


12" x 12" Cells

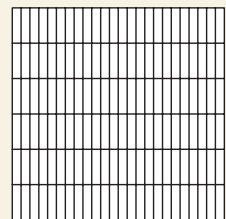


24" x 24" Cells

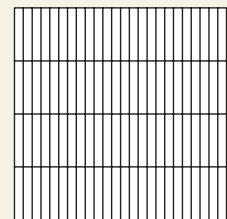
Rectangular Designs



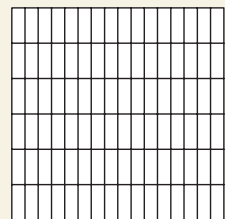
2" x 6" Cells



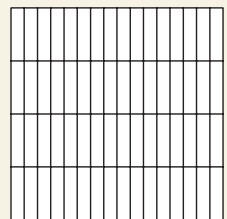
2" x 8" Cells



2" x 12" Cells

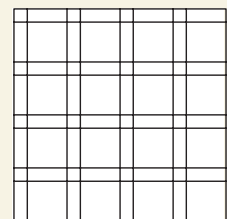


3" x 8" Cells

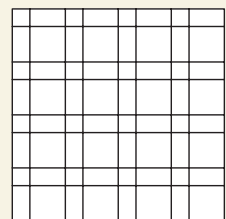


3" x 12" Cells

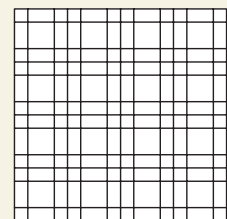
Pattern Designs



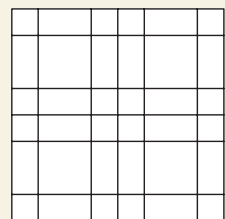
3"/9" Pattern Cells



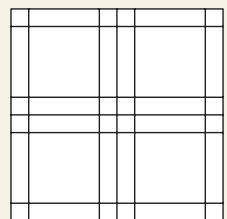
4"/8" Pattern Cells



3"/6"/3" Pattern Cells



8"/12"/8" Pattern Cells



4"/16"/4" Pattern Cells

To discuss the endless design capabilities of Open Cell, consult Hunter Douglas at 800-366-4327.



Structured Possibilities.

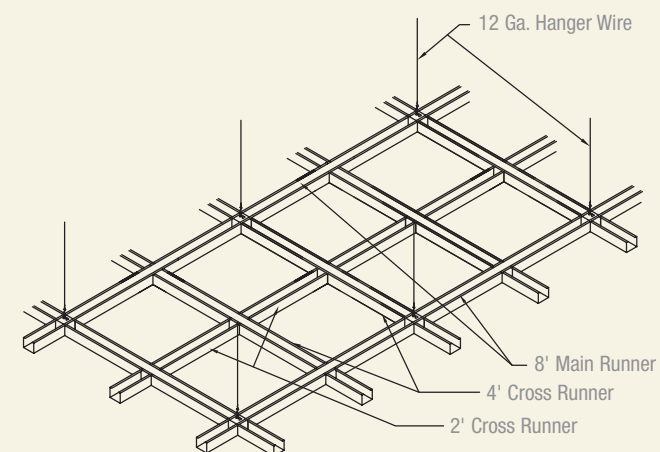
Cell Frame ceilings by Hunter Douglas achieve the clean look of structural beams or even baffles, all in lightweight aluminum. This system allows unrestricted access to lighting, ventilation systems, and sprinklers.

Cell Frames are manufactured specifically for the requirements of each project. The beam's width and height, along with the module size, can be custom specified for scale, boldness, and geometry.

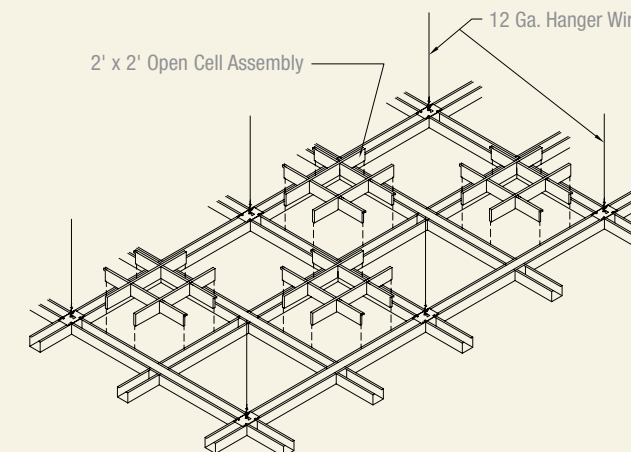
Create a design using Cell Frame alone or in combination with Open Cell, as shown in the photo.

Project: Omaha High School
Location: Omaha, NE
Product: Cell Frame with Open Cell

CELL FRAME

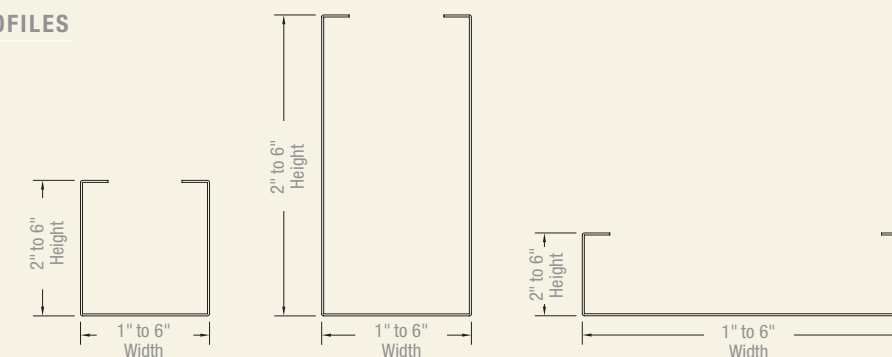


CELL FRAME WITH OPEN CELL INFILL PANELS



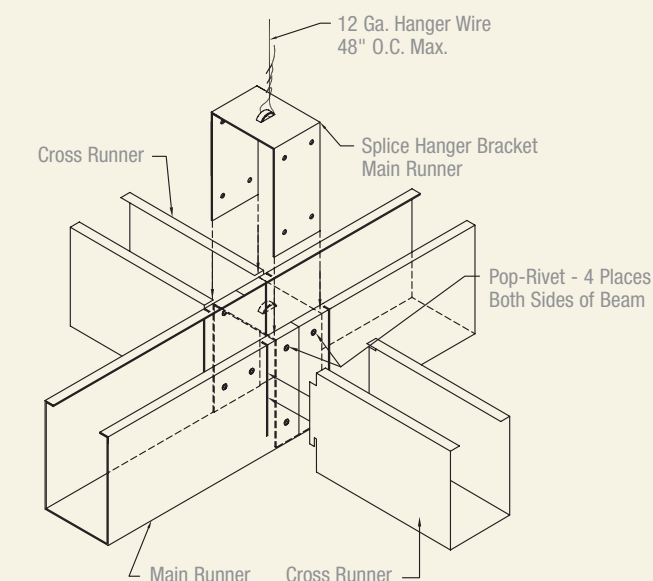
CELL FRAME – EXAMPLE PROFILES

Cell Frame Profiles
Range in Width from 1" to 6"
and in Height from 2" to 6"



CELL FRAME SYSTEM FEATURES

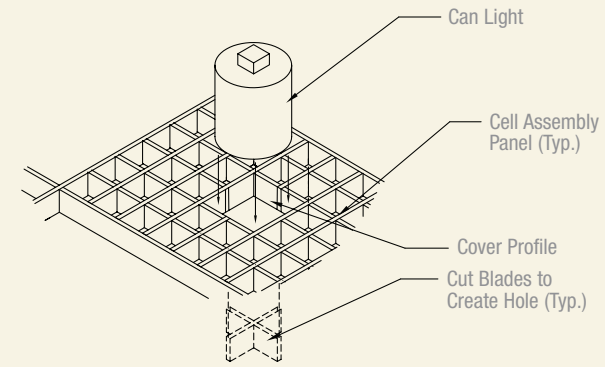
- Interlocking components assure tight, rigid assembly
- Configuration support for square, rectangle and pattern cell designs. Beams may be curved
- Blending Cell Frame and Open Cell systems permits many interesting combinations
- Beams may be connected geometrically or suspended in parallel lines like baffles
- Available in aluminum and steel; multiple finishes include a variety of colors, metallic options, and anodized and wood finishes
- Panels contain from 70% to 95% recycled content



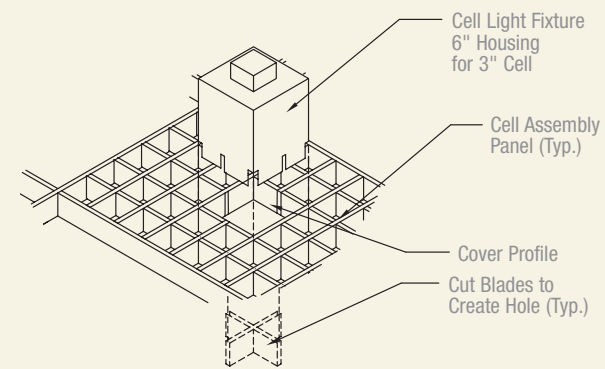
Project: Washington Dulles Airport
 Location: Washington DC
 Product: Open Cell



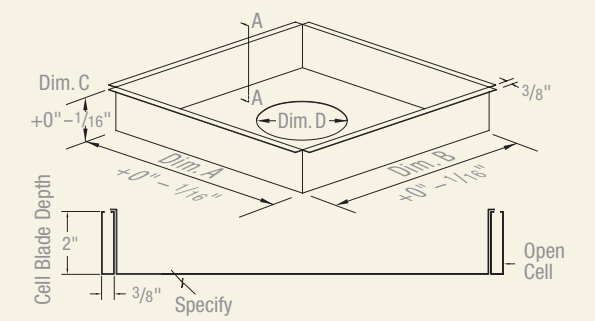
CELL CAN LIGHT FIXTURE INSTALLATION



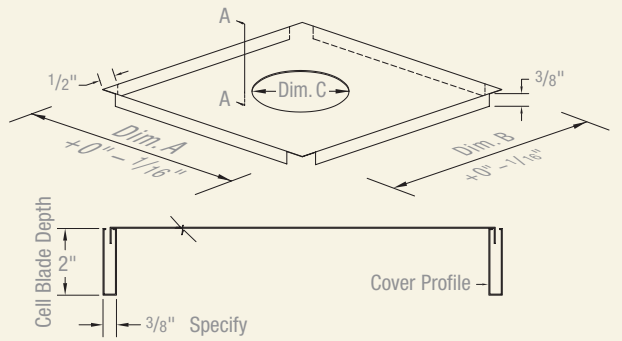
CELL LIGHT FIXTURE INSTALLATION



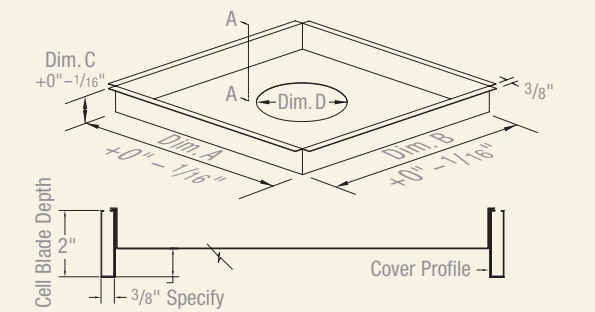
TYPICAL INFILL PANEL "FLUSH"



TYPICAL INFILL PANEL "RAISED"



TYPICAL INFILL PANEL "RECESSED"

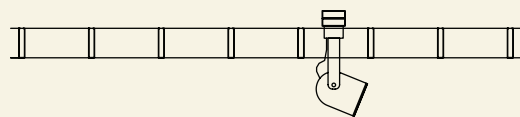


Open Cell and Cell Frame systems are easy to integrate with all light fixtures, including:

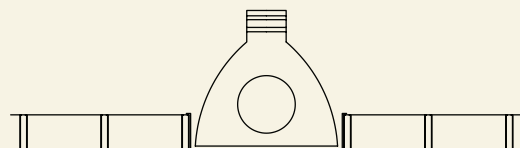
- Track lighting
- Infill panels/light fixtures
- Fluorescent lighting
- Recessed lighting

Light fixtures may be installed below, above, or within the ceiling plane.

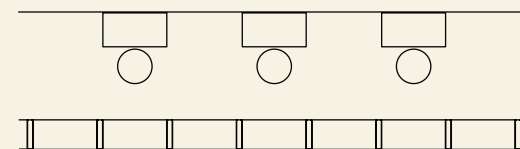
TRACK LIGHTING FIXTURE



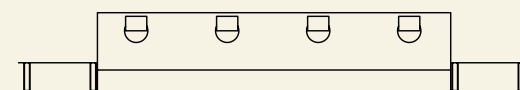
INFILL PANEL/LIGHT FIXTURE



FLUORESCENT LIGHTING



2X2 OR 2X4 RECESSED FIXTURE



CELL LIGHT FIXTURE

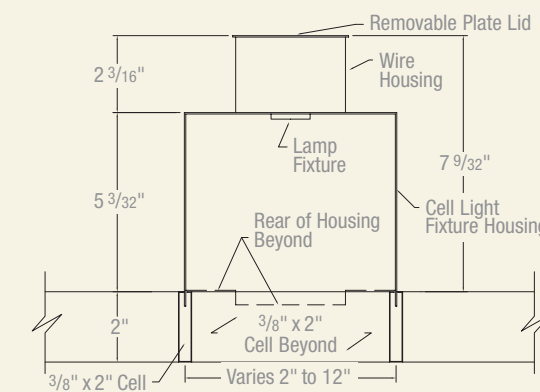


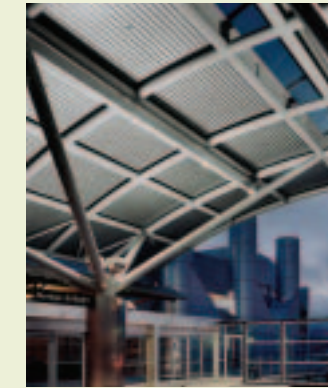


Photo at left
 Project: A&P
 Location: Park Ridge, NJ
 Architect: Studio 5 Partnership, Architects/Planners LLC
 Product: Cell Frame Baffle

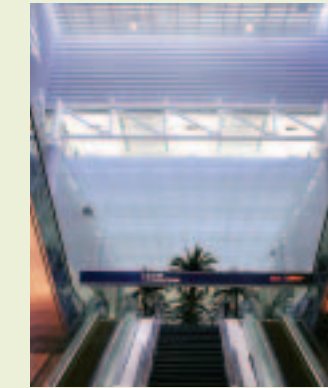
Cover
 Project: Metro Station Warszawa Centrum
 Location: Warsaw, Poland
 Architect: Mostostal
 Product: Open Cell



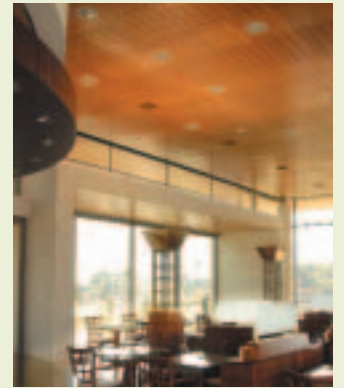
Project: Bush Intercontinental Airport
 Location: Houston, TX
 Architect: Gensler, Houston
 Product: Hook-On



Project: BART Station
 Location: San Francisco, CA
 Architect: ED2 International
 Product: Box 6, finish: Natural



Project: Ft. Lauderdale Airport
 Location: Ft. Lauderdale, FL
 Architect: HOK
 Product: Screen/Baffle



Project: Hotel Plaza El Bosque
 Location: Santiago, Chile
 Architect: Fernandez – Wood Arquitectos
 Product: Natura

Hunter Douglas has long designed and manufactured its ceiling systems to follow the principles of sustainability and indoor environmental quality. We have the experience, the knowledge and the products. Visit www.hunterdouglascontract.com/ceilings and click on the "Green Product Bulletin" for further details.

Key environmental programs and features:

- Our U.S. manufacturing location, which produces all our metal ceiling systems for the North American market, qualifies as a zero landfill facility
- Hunter Douglas Contract is a longtime member of the U.S. Green Building Council
- Hunter Douglas has an ongoing commitment to research that improves the sustainability of our sourcing and manufacturing process.

LEED EXPERTISE

Our project managers and engineers have worked on many LEED® rated and/or sustainably designed projects, from manufacturing facilities to high-rise office towers. Contact us for more information on products and documentation for projects that include environmental design considerations.



Our project managers and engineers can assist architects/designers in a number of key areas to accumulate potential LEED® credits toward project certifications.

- MR Credit 2.1 and 2.2
 - Our aluminum ceiling panels are factory-cut to size, significantly reducing field cutting and scrap.
- MR Credit 4.1 and 4.2
 - Our aluminum ceilings contain from 70% to 95% recycled content. Approximately 50% is post-consumer.
- EQ Credit 3.1 and 3.2
 - Our metal ceiling panels have no reportable VOC's.
- EA Credit 1
 - Our metal ceiling panels may have a light reflectance of (LR) 1 which may contribute to energy savings.

As architects and designers expand the boundaries of design, Hunter Douglas continues to work alongside them. Our ceiling systems are found in some of the world's most recognizable projects.

Learn More

- Call 800-366-4327 to speak with a ceilings specialist
- www.hunterdouglascontract.com/ceilings
- Sign up online to receive a monthly email bulletin

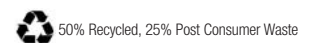
HunterDouglasContract

WINDOW COVERINGS | CEILINGS | SOLAR CONTROL | FAÇADES



Hunter Douglas Contract
5015 Oakbrook Parkway, Suite 100
Norcross, GA 30093
phone: 800.366.4327
fax: 770.806.0214
www.hunterdouglascontract.com/ceilings

©2009 Hunter Douglas Inc. ® is a trademark of Hunter Douglas Inc.



50% Recycled, 25% Post Consumer Waste