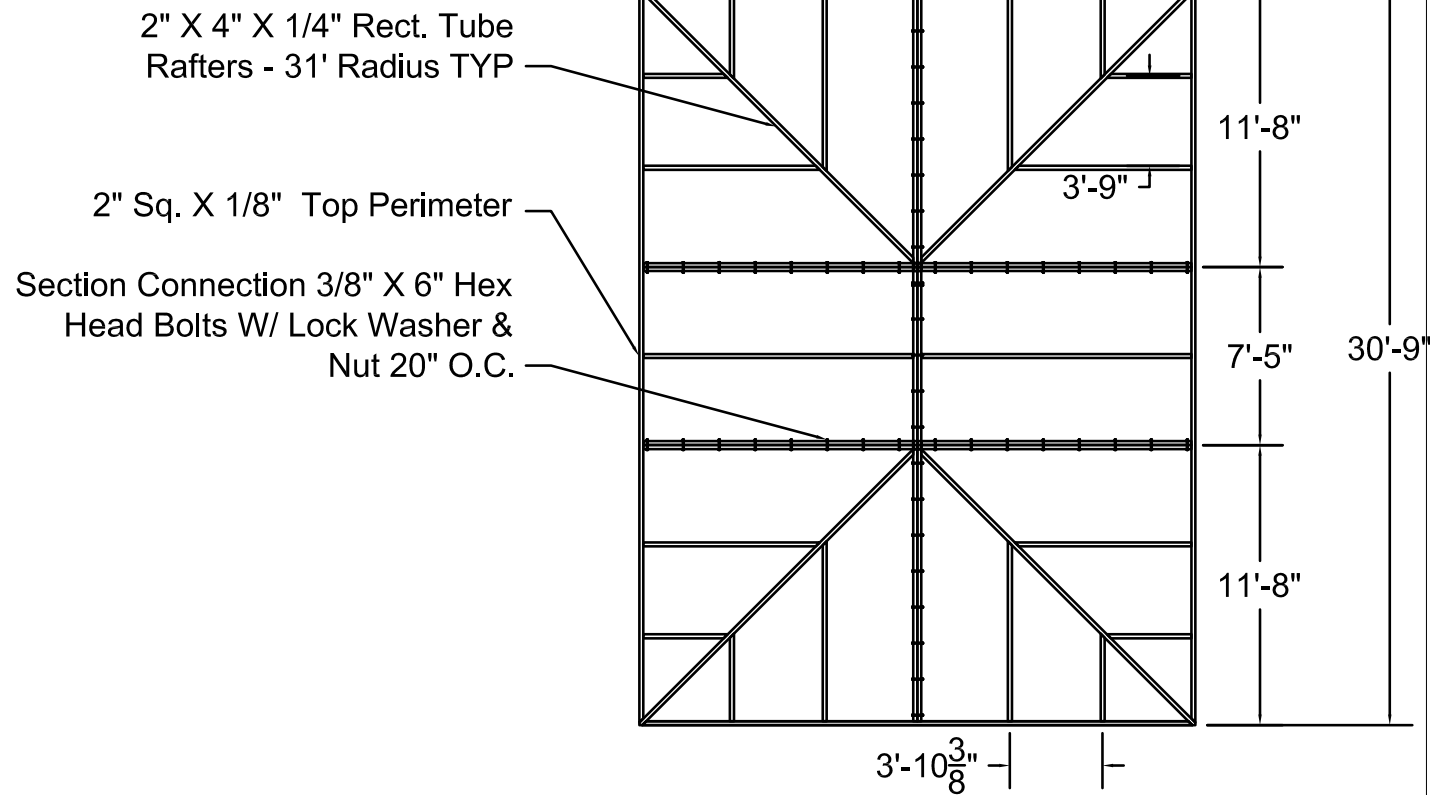
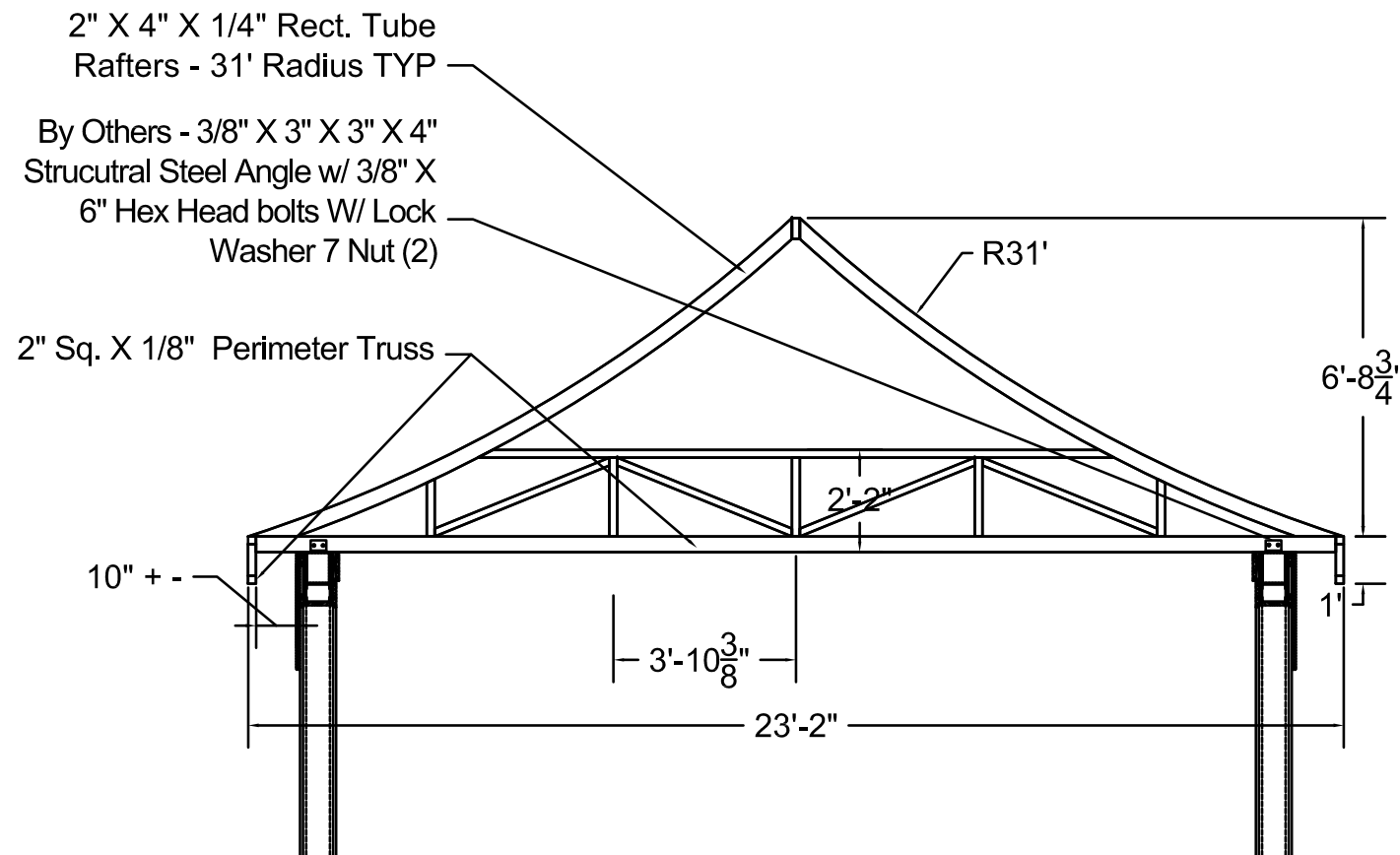


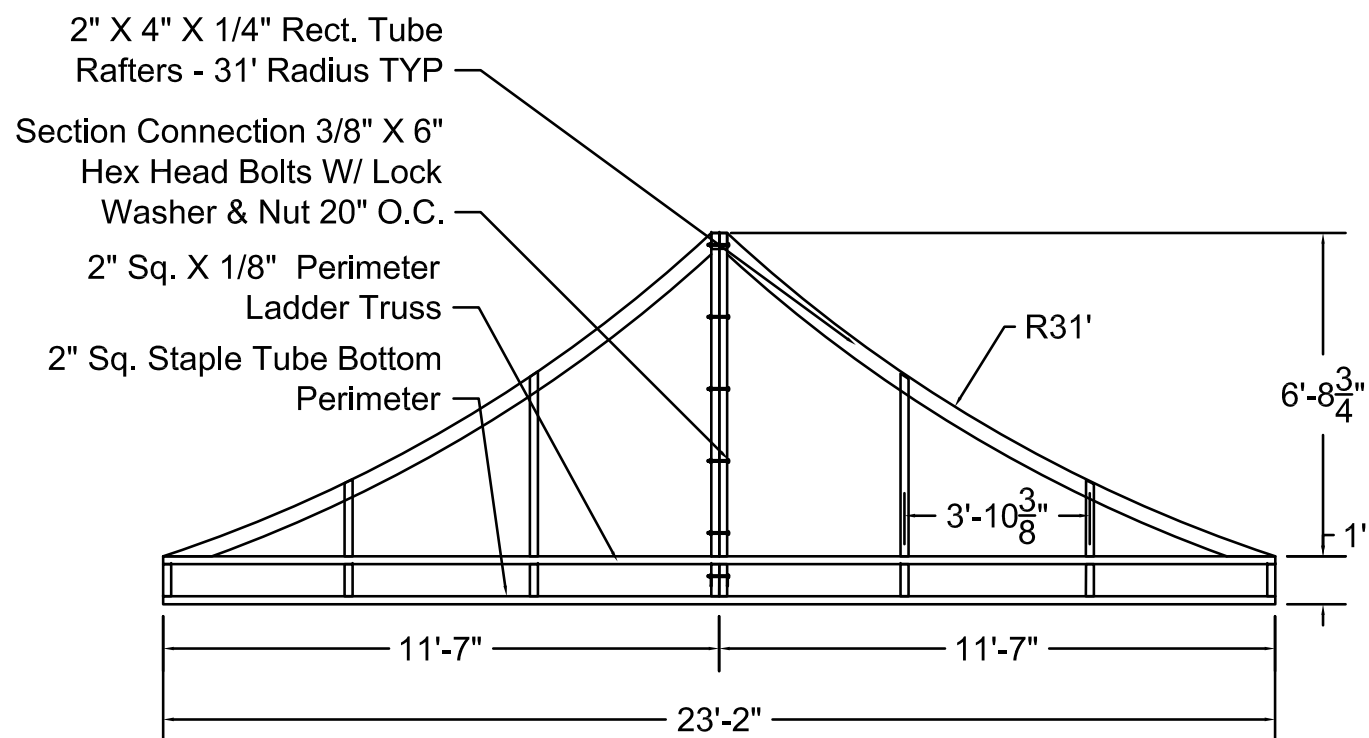
Top View
Scale: 1/8" = 1'
6 Sections



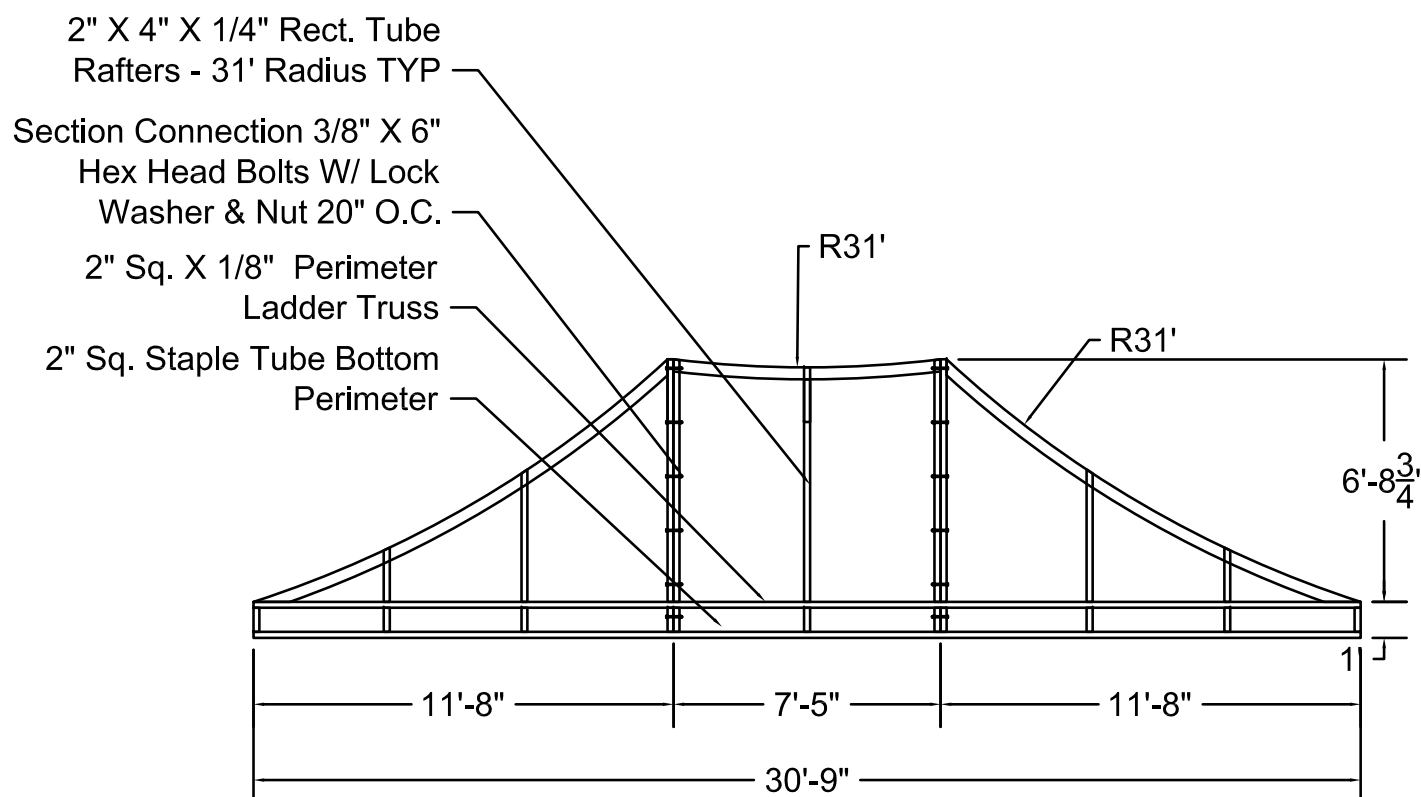
Typical Truss View
Scale: 1/4" = 1'



Building 20 - V.I.F. Prior To Fabrication - QTY: 1 - Frame - RAL 5010 (GENTIAN BLUE) - Fabric: Alternating 3' Stripes - 502-2160 lagoon, 502-21414 Camel, 502-2161 Blue Top Cap 12' Stripe 502-2161 Blue



End View
Scale: 1/4" = 1'



Side View
Scale: 3/16" = 1'

Client Name & Project
BUSCH GARDENS
 2010 Expansion
Wichman Construction
 5029 W. Grace Street
 Tampa Florida 33607

Structural Engineer
 Brian S. Reed
 769 42 Ave N.
 St. Pete FL 33703
 727-522-0853

Manufacturer Name and Address
AWNING WORKS Inc.
 14115 68th Way N. - Clearwater, FL 33760
 Tel: 727-528-1118 - Fax: 727-524-3110
 www.awningworks.com

Building Notes

1. Welded Extruded Aluminum Frame & Components
 2. All Work in Accordance With Local Codes
 3. AS - Wind: 130 M.P.H. W/3 Sec. Gust, Exp. C
 4. Open Endure Classification: B19, Category II, LE 1.0, Open Design Pressure = -27.9 P.S.F.
 5. Fabric: Membrane 75 M.P.H. W/3 Sec. Gust of 90 M.P.H. Importance Factor .77 - Exp. B
 6. Welded Connections Fully Welded (5) unless otherwise noted for the fabric of these Pre-Engineered Product and
 7. Awning Works Inc. & The Engineer on record are solely responsible for the design of these Pre-Engineered Product and
 Provided By Awning Works Inc. and Super Structure design shall be the responsibility of others

Front View
Scale: 1/2" = 1'

#1 Nickle Grommets & 1/4" X 3.25" Tapcons 12" O.C. Max

Porcelian Ring & SS Clip Assembly

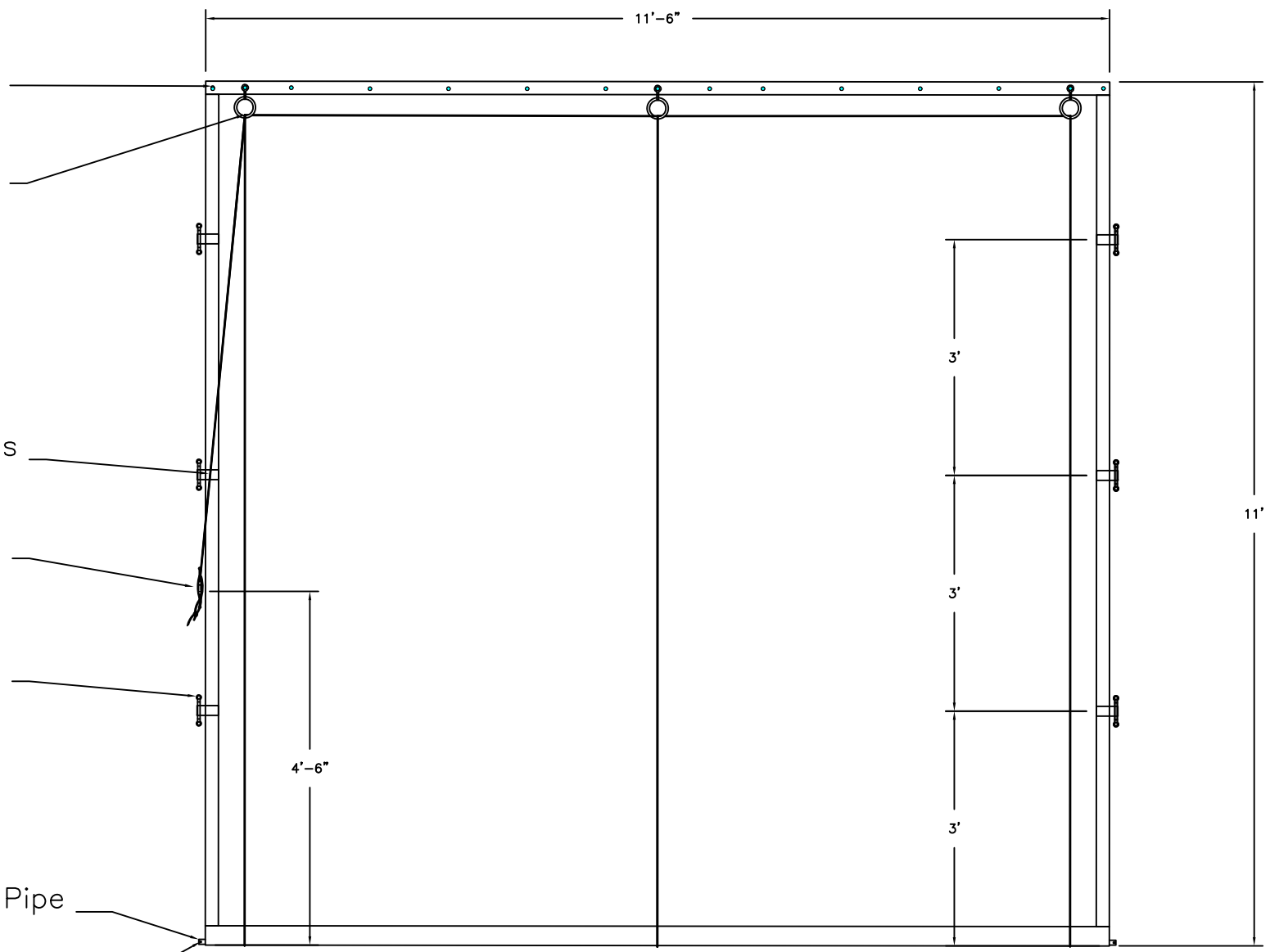
Sewn 1-1/2" Wide Velcro Straps

#6 Nylon Rope

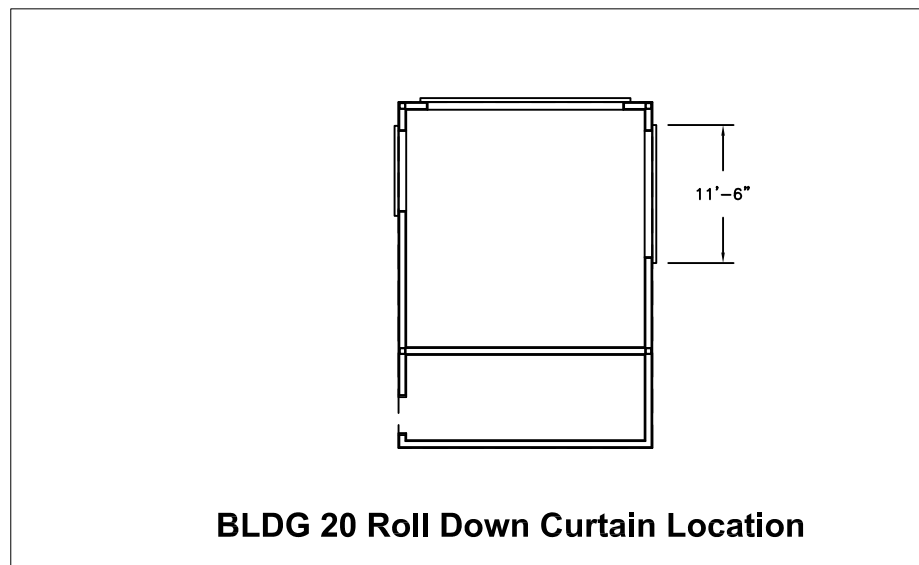
Nickle Plated Footman Loop - 1/4" X 3.25" Tapcons(2) TYP.

3/4" SCH 40 Galvanized Steel Pipe

Padlock Hole For Locking Bottom Bars To Building



QTY: 1 @ 11' - 6" X 11'



Client Name & Project



Wichman Construction
 5029 W. Grace Street
 Tampa Florida 33607

Structural Engineer

Brian S. Reed
 769 42 Ave N.
 St. Pete FL 33703
 727-522-0853

Manufacturer Name and Address

AWNING WORKS Inc.
 14115 68th Way N. - Clearwater, FL 33766
 Tel: 727-524-1118 - Fax: 727-524-3110
 www.awningworksinc.com

Building Notes

Welded Extruded Aluminum Frame & Components
 All Work In Accordance With Local Codes
 1. All Work In Accordance With Local Codes
 2. All Work In Accordance With Local Codes
 3. All Work In Accordance With Local Codes
 4. All Work In Accordance With Local Codes
 5. All Work In Accordance With Local Codes
 6. All Work In Accordance With Local Codes
 7. All Work In Accordance With Local Codes
 Welded Connections Fully Welded (3) unless minimum
 Awning Works Inc. & The Engineer on record are solely responsible for the design of these Pre-Engineered Product and
 Awning Works Inc. and Super Structure design shall be the responsibility of others
 Provided By Awning Works Inc. and Super Structure design shall be the responsibility of others

Front View
Scale: 1/2" = 1'

#1 Nickle Grommets & 1/4" X 3.25" Tapcons
 12" O.C. Max

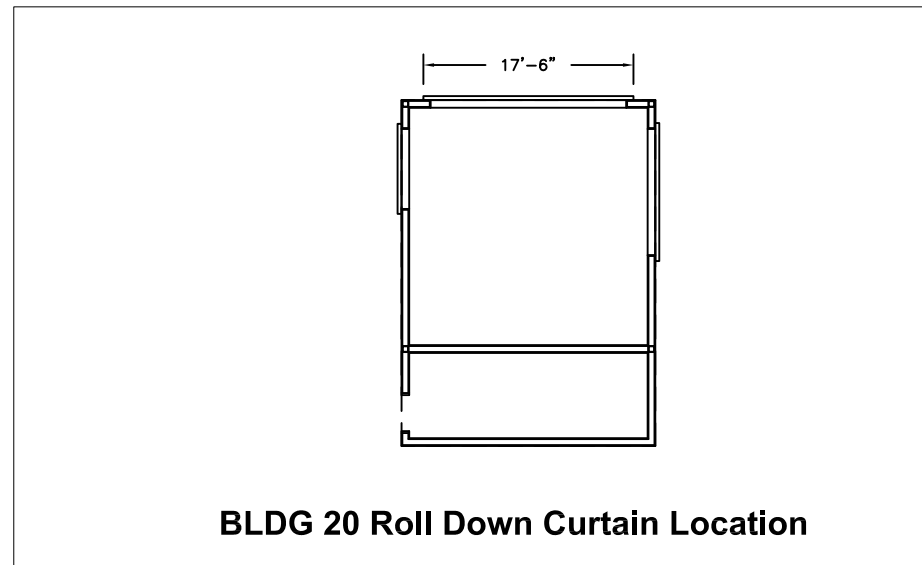
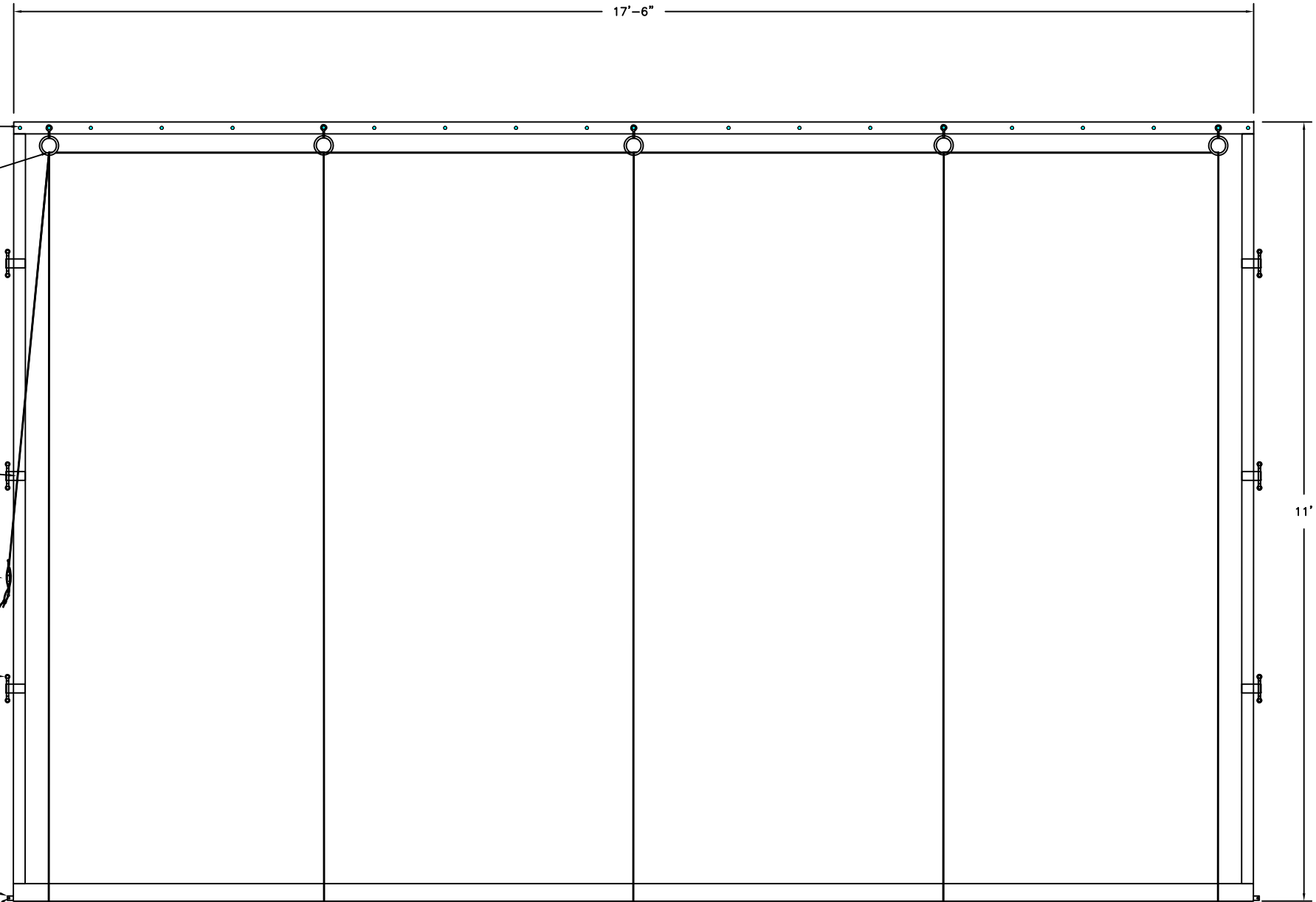
Porcelian Ring & SS Clip Assembly

Sewn 1-1/2" Wide Velcro Straps

#6 Nylon Rope

Nickle Plated Footman Loop - 1/4" X
 3.25" Tapcons(2) TYP.

3/4" SCH 40 Galvanized Steel Pipe
 Padlock Hole For Locking Bottom Bars To
 Building



QTY: 1 @ 17' - 6" X 11'

Client Name & Project
Busch GARDENS.
 2010
 Expansion

Wichman Construction
 5029 W. Grace Street
 Tampa Florida 33607

Structural Engineer
 Brian S. Reed
 769 42 Ave N.
 St. Pete FL 33703
 727-522-0853

Manufacturer Name and Address
AWNING WORKS Inc.
 14115 68th Way N. - Clearwater, FL 33766
 Tel: 727-524-1118 - Fax: 727-524-3110
 www.awningworksinc.com

Building Notes

Welded Extruded Aluminum Frame & Components
 All Work In Accordance With Local Codes
 1. All Connections Fully Welded (3) unless minimum
 2. Awning Works Inc. & The Engineer on record are solely responsible for the design of these Pre-Engineered Products
 3. Provided By Awning Works Inc. and Super Structure design shall be the responsibility of others

1. Welded Extruded Aluminum Frame & Components
 2. All Connections Fully Welded (3) unless minimum
 3. Awning Works Inc. & The Engineer on record are solely responsible for the design of these Pre-Engineered Products
 4. Provided By Awning Works Inc. and Super Structure design shall be the responsibility of others

Date: 12/1/2009
 Sheet: **9**
 File: BLDG-20_Awning_1209.rvt

Front View
Scale: 1/2" = 1'

#1 Nickle Grommets & 1/4" X 3.25" Tapcons 12" O.C. Max

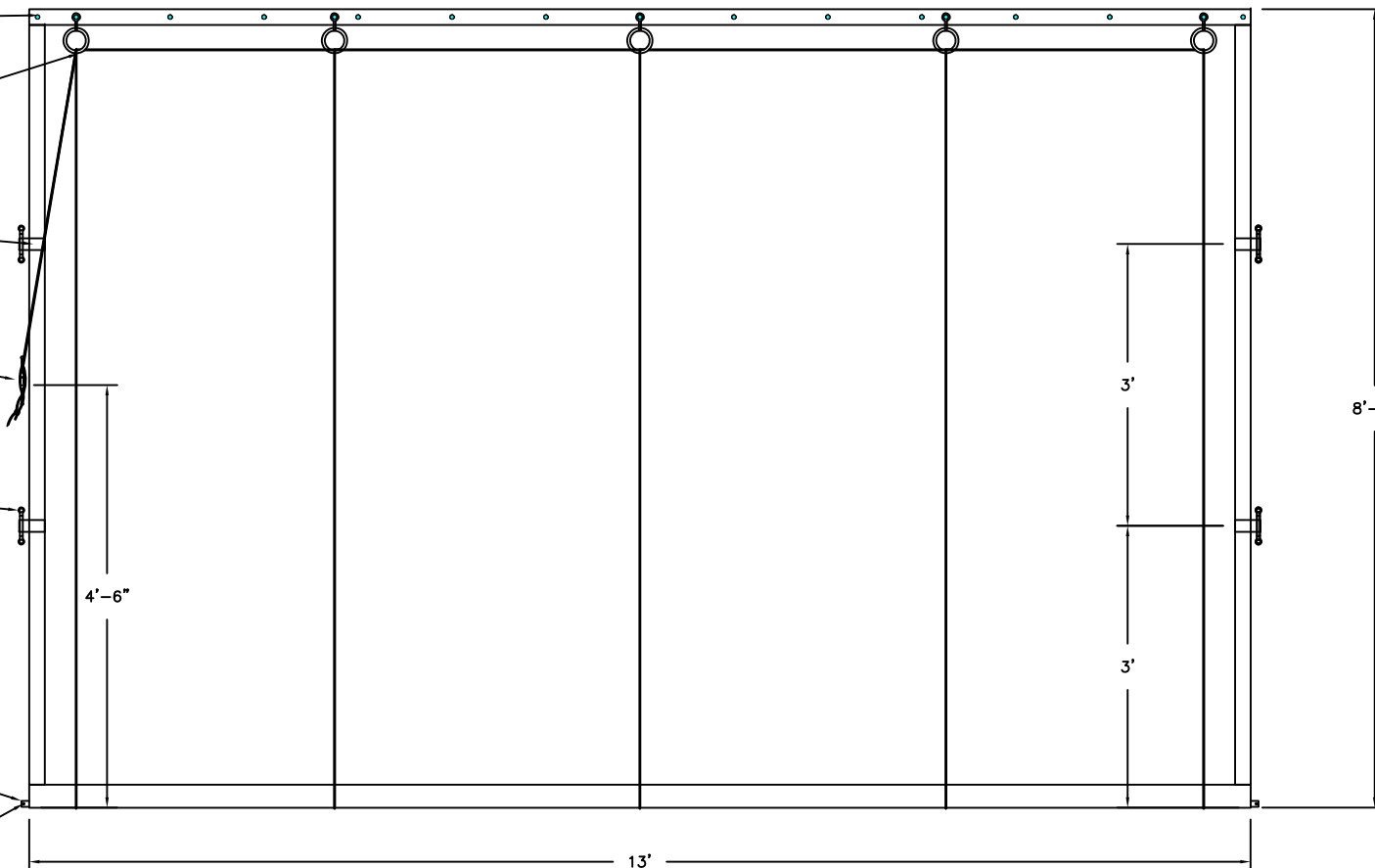
Porcelian Ring & SS Clip Assembly

Sewn 1-1/2" Wide Velcro Straps

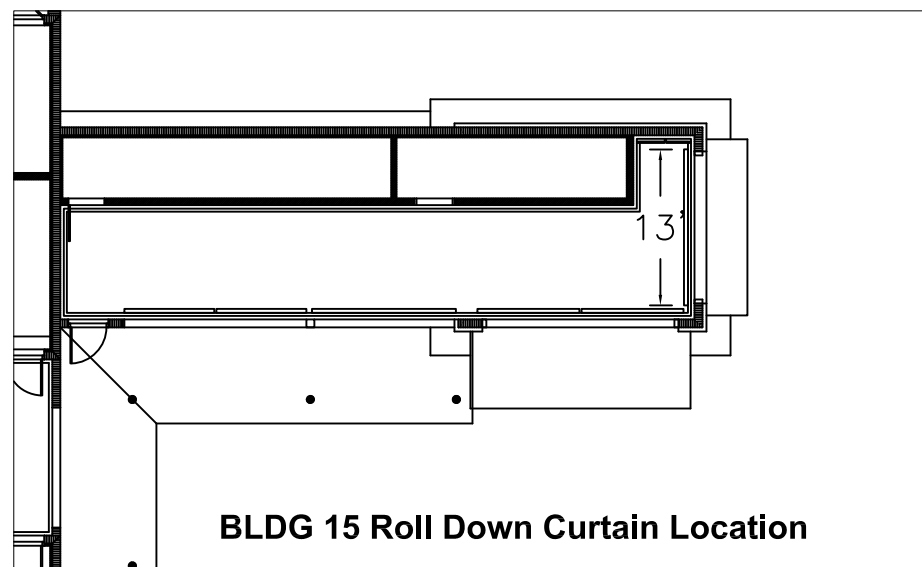
#6 Nylon Rope

Nickle Plated Footman Loop - 1/4" X 3.25" Tapcons(2) TYP.

3/4" SCH 40 Galvanized Steel Pipe
 Padlock Hole For Locking Bottom Bars To Building



QTY: 2 @ 8' - 8" X 8' - 6"



BLDG 15 Roll Down Curtain Location

Client Name & Project



Wichman Construction
 5029 W. Grace Street
 Tampa Florida 33607

Structural Engineer

Brian S. Reed
 769 42 Ave N.
 St. Pete FL 33703
 727-522-0853

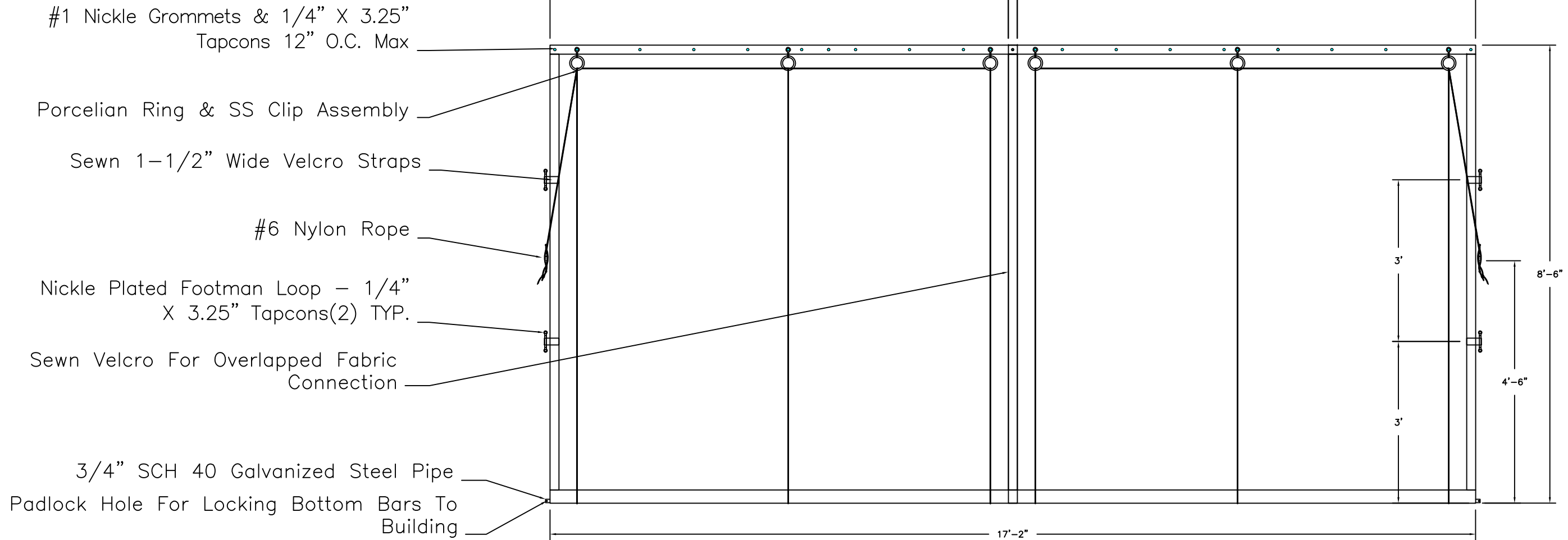
Manufacturer Name and Address

AWNING WORKS Inc.
 14115 68th Way N. - Clearwater, FL 33766
 Tel: 727-524-1118 - Fax: 727-524-3110
 www.awningworksinc.com

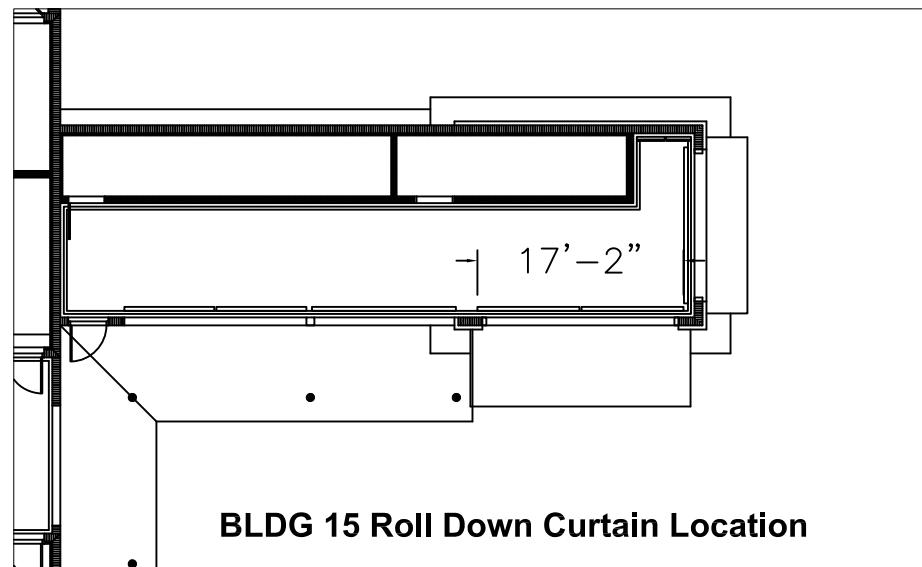
Building Notes

Welded Extruded Aluminum Frame & Components
 All Work In Accordance With Local Codes
 AWING WORKS Inc. - W/3 Sec. Gust. Exp. C
 Open Enclosure Classification, Bldg. Category II, F.L.J. Open Design Pressure = -27.9 P.S.F.
 Fabric Membrane 75 M.P.H. W/3 Sec. Gust of 90 M.P.H. Importance Factor 77 - Exp. B
 Welded Connections Fully Welded (3) unless minimum
 Awning Works Inc. & The Engineer on record are solely responsible for the design of these Pre-Engineered Product and
 the manufacturer's liability shall be the responsibility of others
 Provided By Awning Works Inc. and Super Structure design shall be the responsibility of others

Front View
Scale: 1/2" = 1'



QTY: 2 @ 8' - 8" X 8' - 6"



BLDG 15 Roll Down Curtain Location

Client Name & Project



2010
Expansion

Wichman Construction
 5029 W. Grace Street
 Tampa Florida 33607

Structural Engineer

Brian S. Reed
 769 42 Ave N.
 St. Pete FL 33703
 727-522-0853

Manufacturer Name and Address

AWNING WORKS Inc.
 14115 68th Way N. - Clearwater, FL 33766
 Tel: 727-524-1118 - Fax: 727-524-3110
 www.awningworksinc.com

Building Notes

Welded Extruded Aluminum Frame & Components
 All Work In Accordance With Local Codes
 AWNING WORKS Inc. - W/3 Sec. Gust. Exp. C
 Open Enclosure Classification, Bldg. Category II, IFLJ, Open Design Pressure = -27.9 P.S.F.
 Fabric Membrane 75 M.P.H. W/3 Sec. Gust of 90 M.P.H. Importance Factor 77 - Exp. B
 Welded Connections Fully Welded (3) unless minimum
 Awning Works Inc. & The Engineer on record are solely responsible for the design of these Pre-Engineered Product and
 Awning Works Inc. and Super Structure design shall be the responsibility of others
 Provided By Awning Works Inc. and Super Structure design shall be the responsibility of others

Front View
Scale: 1/2" = 1'

#1 Nickle Grommets & 1/4" X 3.25" Tapcons 12" O.C. Max

Porcelian Ring & SS Clip Assembly

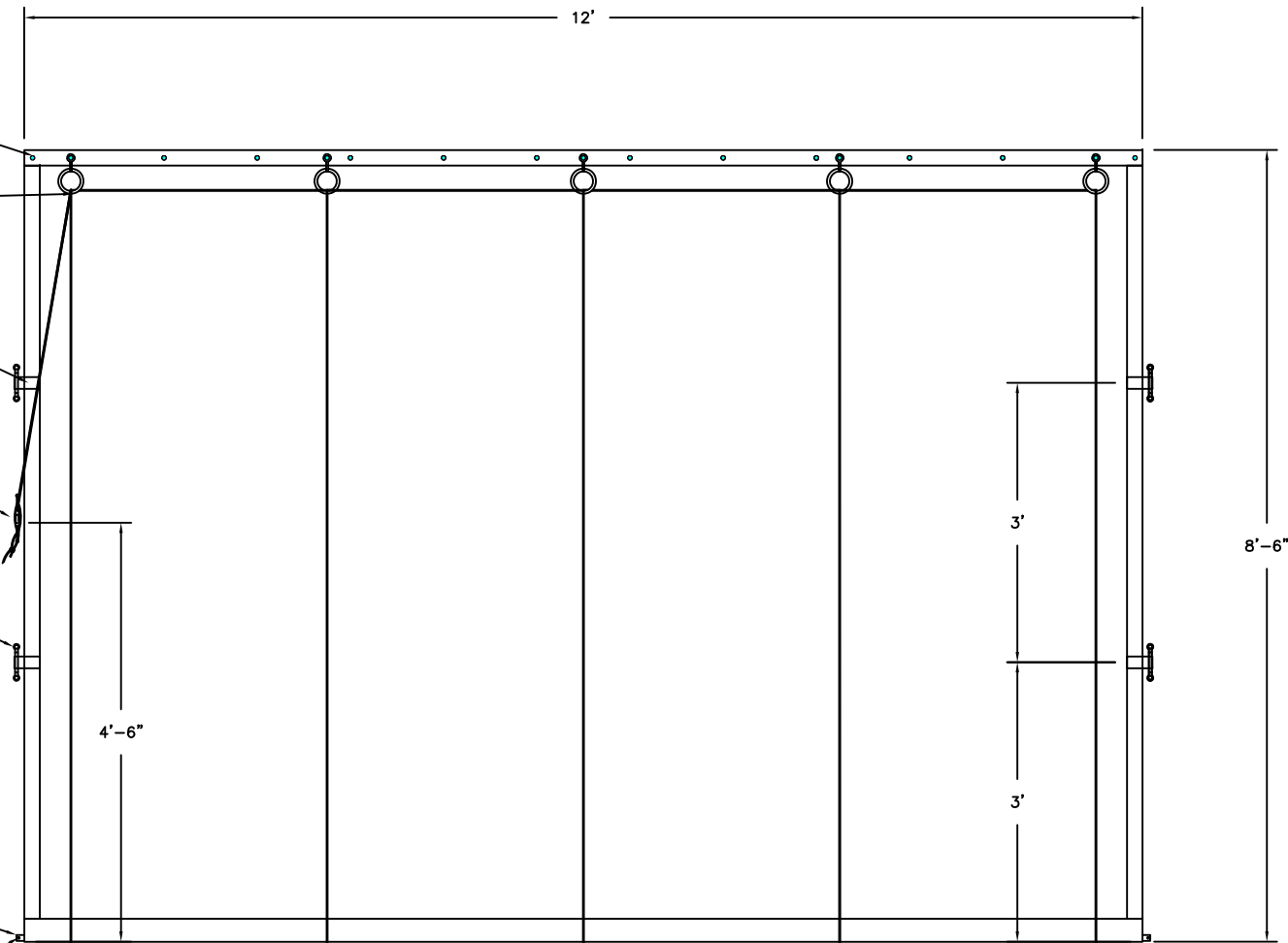
Sewn 1-1/2" Wide Velcro Straps

#6 Nylon Rope

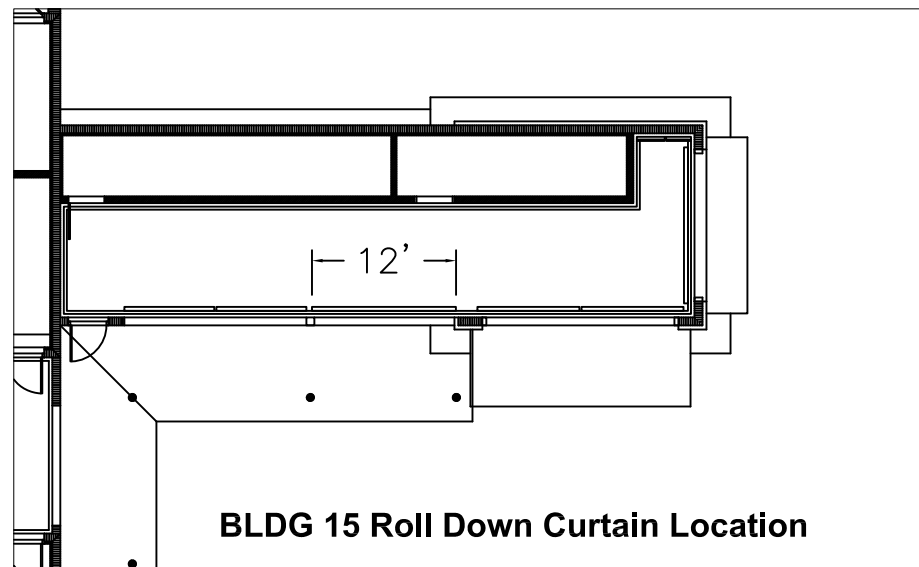
Nickle Plated Footman Loop - 1/4" X 3.25" Tapcons(2) TYP.

3/4" SCH 40 Galvanized Steel Pipe

Padlock Hole For Locking Bottom Bars To Building



QTY: 1 @ 12' X 8' - 6"



Client Name & Project



Wichman Construction
 5029 W. Grace Street
 Tampa Florida 33607

Structural Engineer

Brian S. Reed
 769 42 Ave N.
 St. Pete FL 33703
 727-522-0853

Manufacturer Name and Address

AWNING WORKS Inc.
 14115 68th Way N. - Clearwater, FL 33766
 Tel: 727-524-1118 - Fax: 727-524-3110
 www.awningworksinc.com

Building Notes

Welded Extruded Aluminum Frame & Components
 All Work In Accordance With Local Codes
 1. Fabric Membrane 75 M.P.H. W/3 Sec. Gust. Exp. C
 2. Open Enclosure Classification, Bldg. Category II, F.L.J. Open Design Pressure = -27.9 P.S.F.
 3. Fabric Membrane 75 M.P.H. W/3 Sec. Gust of 90 M.P.H. Importance Factor 77 - Exp. B
 4. Welded Connections Fully Welded (3) unless minimum
 5. Awning Works Inc. & The Engineer on record are solely responsible for the design of these Pre-Engineered Product and
 6. Awning Works Inc. & The Engineer on record are solely responsible for the design of these Pre-Engineered Products
 7. Provided By Awning Works Inc. and Super Structure design shall be the responsibility of others

Date

12/1/2009

Sheet

6

File

Front View

Scale: 1/2" = 1'

#1 Nickle Grommets & 1/4" X 3.25" Tapcons
12" O.C. Max

Porcelian Ring & SS Clip Assembly

Sewn 1-1/2" Wide Velcro Straps

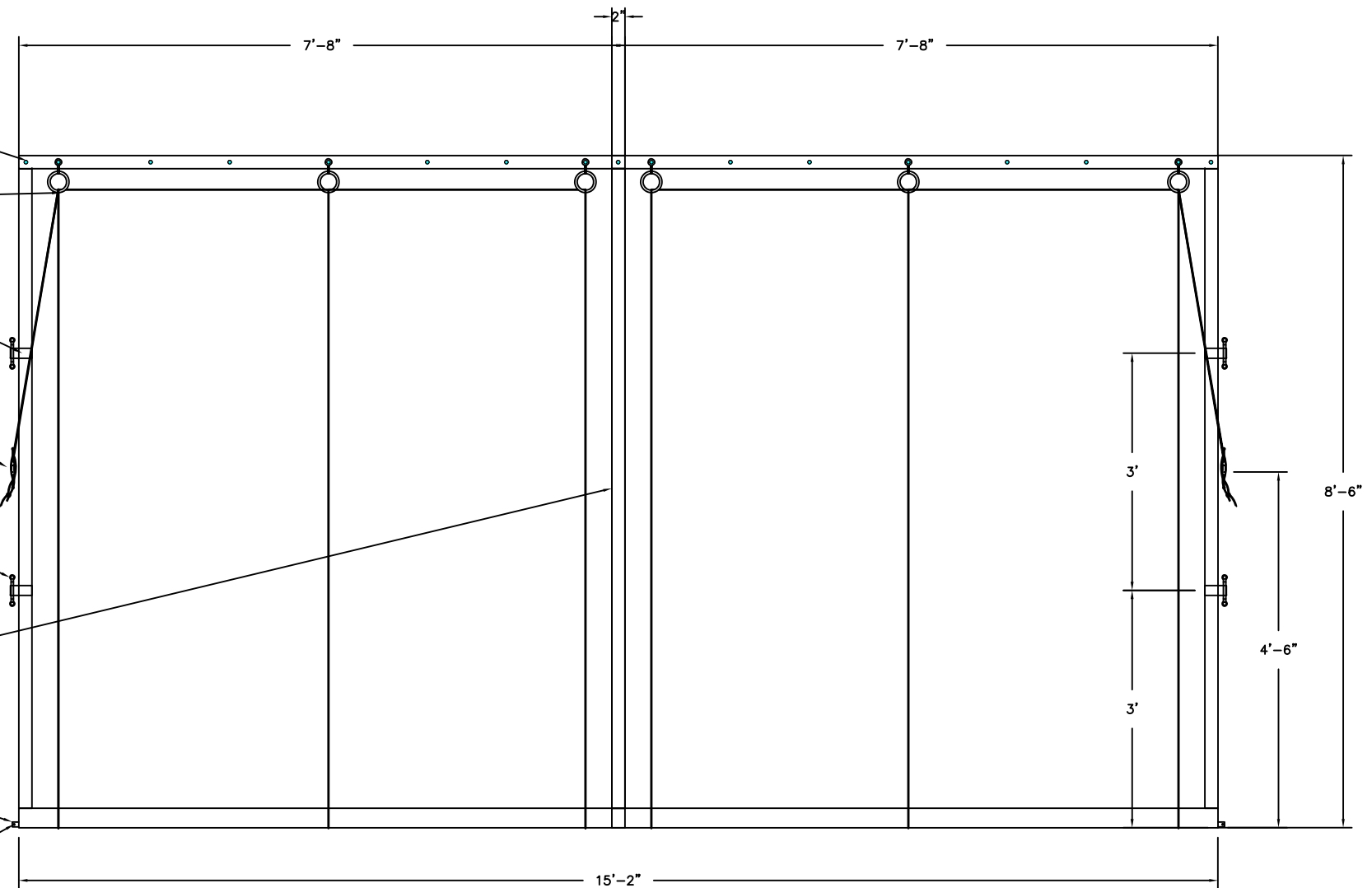
#6 Nylon Rope

Nickle Plated Footman Loop - 1/4" X 3.25"
Tapcons(2) TYP.

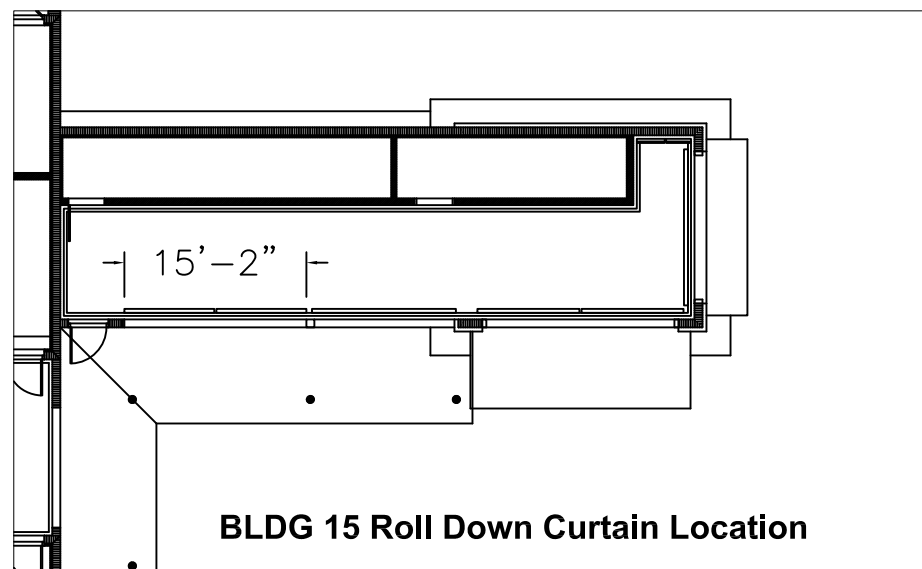
Sewn Velcro For Overlapped Fabric Connection

3/4" SCH 40 Galvanized Steel Pipe

Padlock Hole For Locking Bottom Bars To Building



QTY: 2 @ 7' - 8" X 8' - 6"



BLDG 15 Roll Down Curtain Location

Client Name & Project



Wichman Construction
5029 W. Grace Street
Tampa Florida 33607

Structural Engineer

Brian S. Reed
769 42 Ave N.
St. Pete FL 33703
727-522-0853

Manufacturer Name and Address

AWNING WORKS Inc.
14115 68th Way N. - Clearwater, FL 33766
Tel: 727-524-1118 - Fax: 727-524-3110
www.awningworksinc.com

Building Notes

Welded Extruded Aluminum Frame & Components
All Work In Accordance With Local Codes
AWW - AW - W/3 Sec. Gust. Exp. C
Open Enclosure Classification, Bldg. Category II, F.L.J. Open Design Pressure = -27.3 P.S.F.
Fabric Membrane 75 M.P.H. W/3 Sec. Gust of 90 M.P.H. Importance Factor 77 - Exp. B
Welded Connections Fully Welded (3) unless minimum
Awning Works Inc. & The Engineer on record are solely responsible for the design of these Pre-Engineered Product and
the installation of the same. The Engineer shall be responsible for the design of the Pre-Engineered Products
Provided By Awning Works Inc. and Super Structure design shall be the responsibility of others

1. 2. 3. 4. 5. 6. 7.

Date: 12/1/2009

Sheet **5**

File: BLDG-15_Awning_2009.rvt

Front View
Scale: 3/4" = 1'

#1 Nickel Grommets & 1/4" X 3.25" Tapcons 12" O.C. Max

Porcelain Ring & SS Clip Assembly

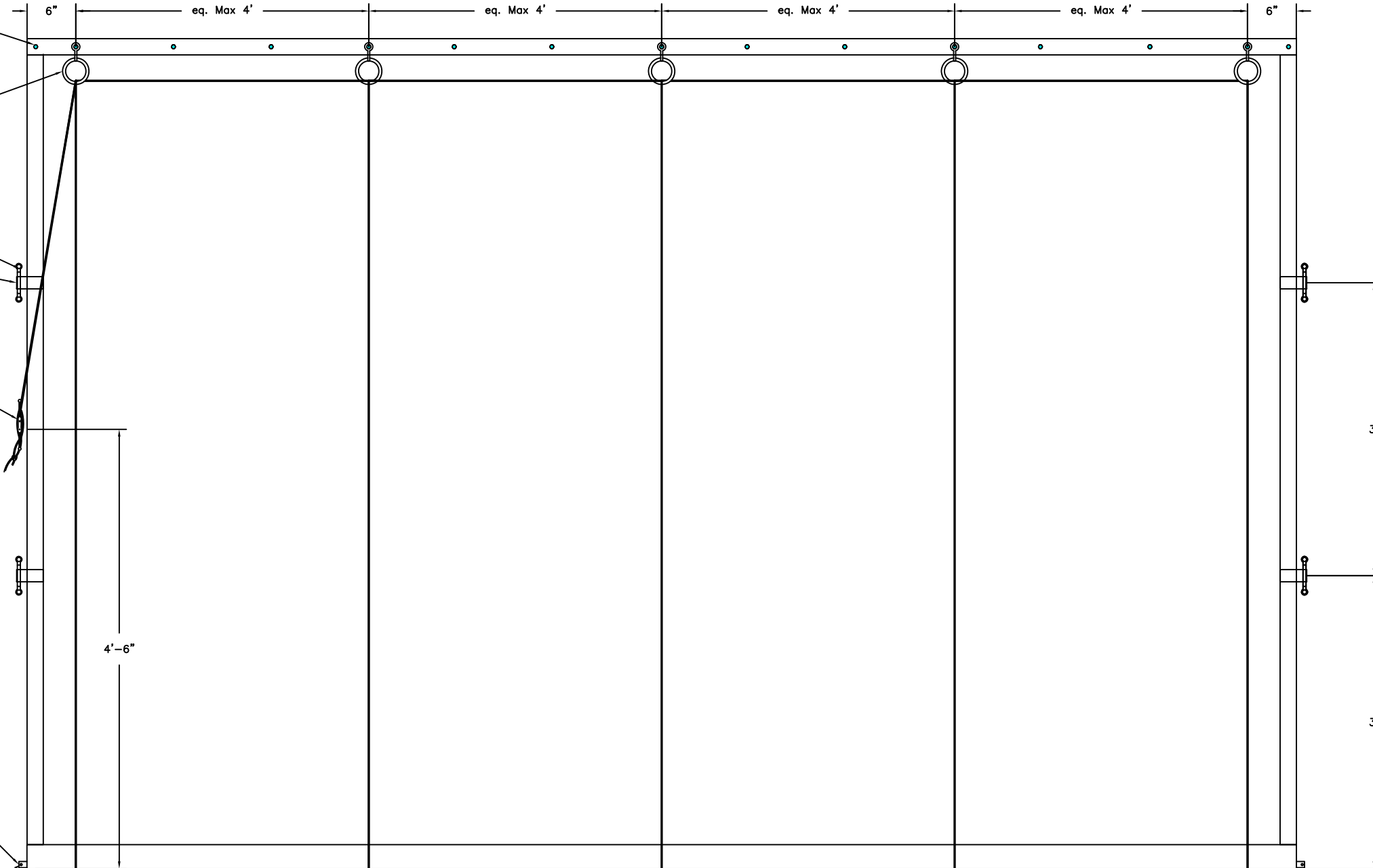
Nickle Plated Footman Loop - 1/4" X 3.25" Tapcons(2) TYP.

Sewn 1-1/2" Wide Velcro Straps

#6 Nylon Rope

3/4" SCH 40 Galvanized Steel Pipe

Padlock Hole For Locking Bottom Bars Together



Typical Roll Down Curtain

Client Name & Project

Busch GARDENS.

2010
Expansion

Wichman Construction
 5029 W. Grace Street
 Tampa Florida 33607

Structural Engineer

Brian S. Reed
 769 42 Ave N.
 St. Pete FL 33703
 727-522-0853

Manufacturer Name and Address

AWNING WORKS Inc.
 14115 68th Way N. - Clearwater, FL 33766
 Tel: 727-524-1118 - Fax: 727-524-3110
 www.awningworksinc.com

Building Notes

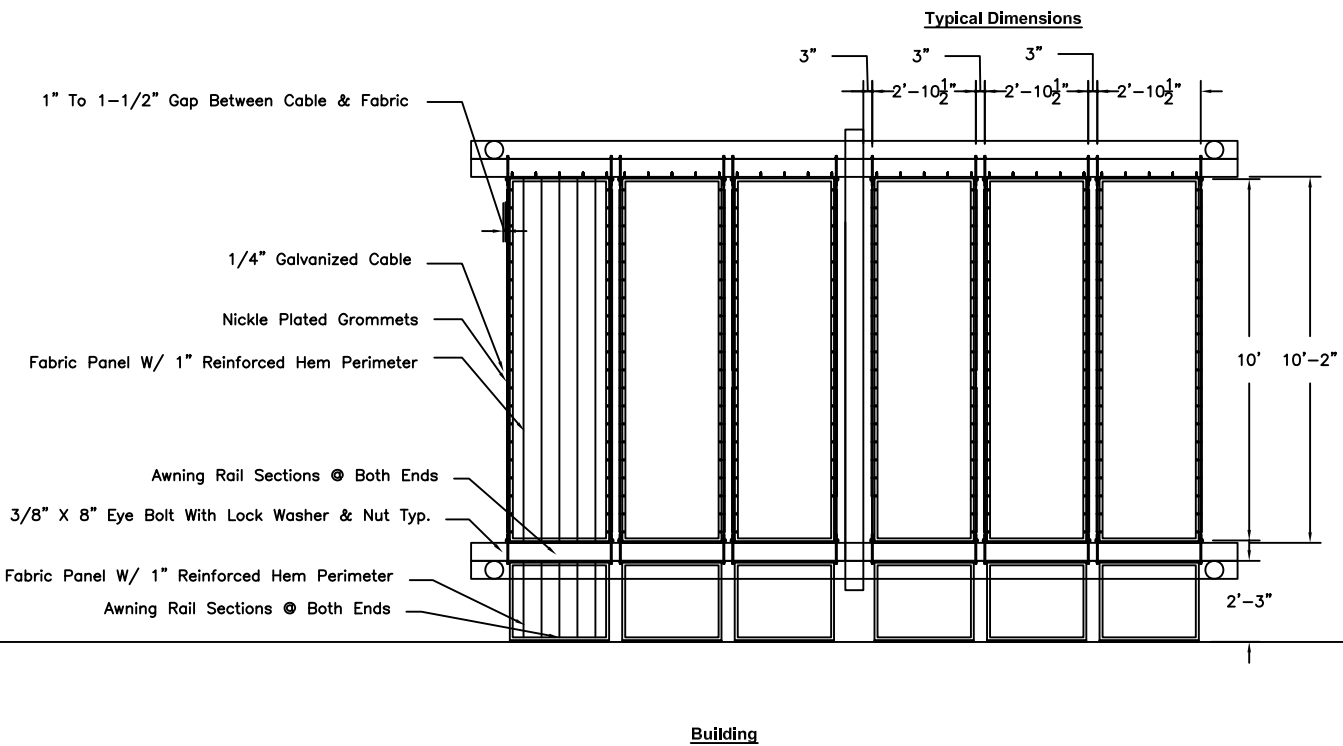
Welded Extruded Aluminum Frame & Components
 All Work In Accordance With Local Codes
 All Work In Accordance With Local Codes
 Open Enclosure Classification, Bldg Category II, IFLJ, Open Design Pressure = -27.3 P.S.F.
 Fabric Design Per F.B.C. 2007 - Fabric Membrane 75 M.P.H. W/ 3 Sec. Gust of 90 M.P.H. Importance Factor .77 - Exp. B
 Welded Connections Fully Welded (3) unless minimum
 Awning Works Inc. & The Engineer on record are solely responsible for the design of these Pre-Engineered Product and
 Awning Works Inc. & The Engineer on record are solely responsible for the design of these Pre-Engineered Products
 Provided By Awning Works Inc. and Super Structure design shall be the responsibility of others

1.
2.
3.
4.
5.
6.
7.

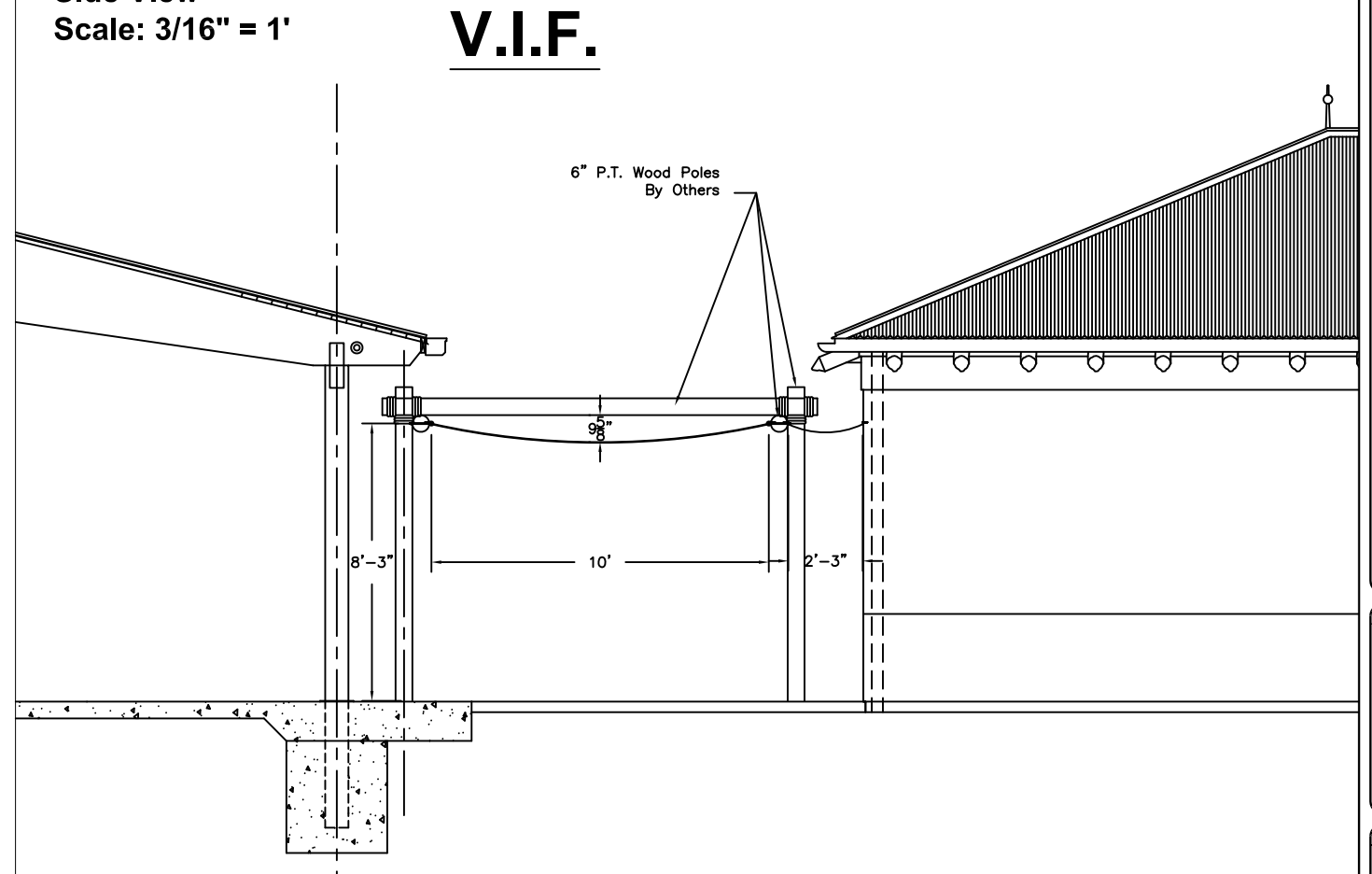
Date: 12/1/2009 Sheet: **4**

File: 03-14-09-001-001.dwg

Top View
Scale: 3/16" = 1'

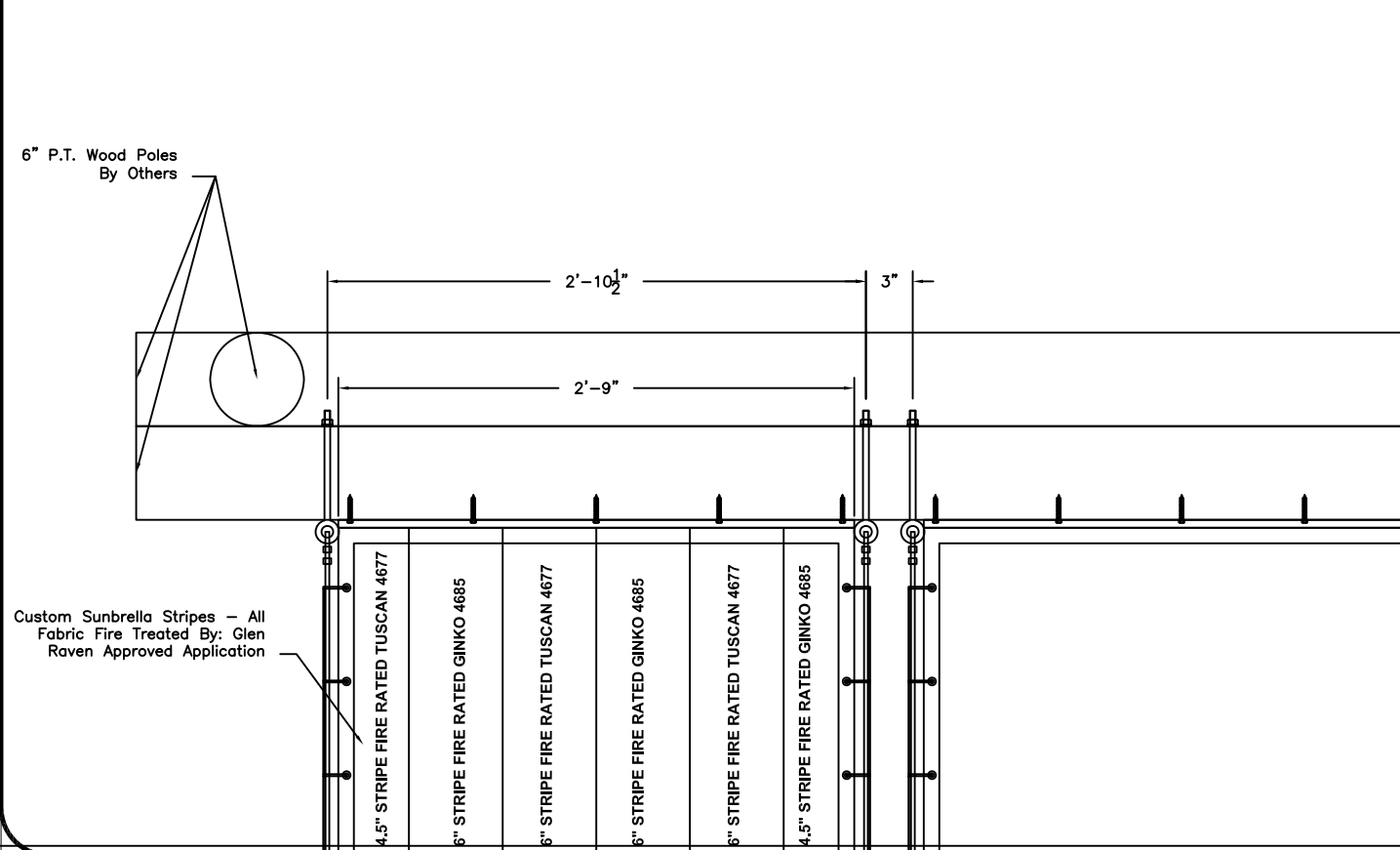


Side View
Scale: 3/16" = 1'

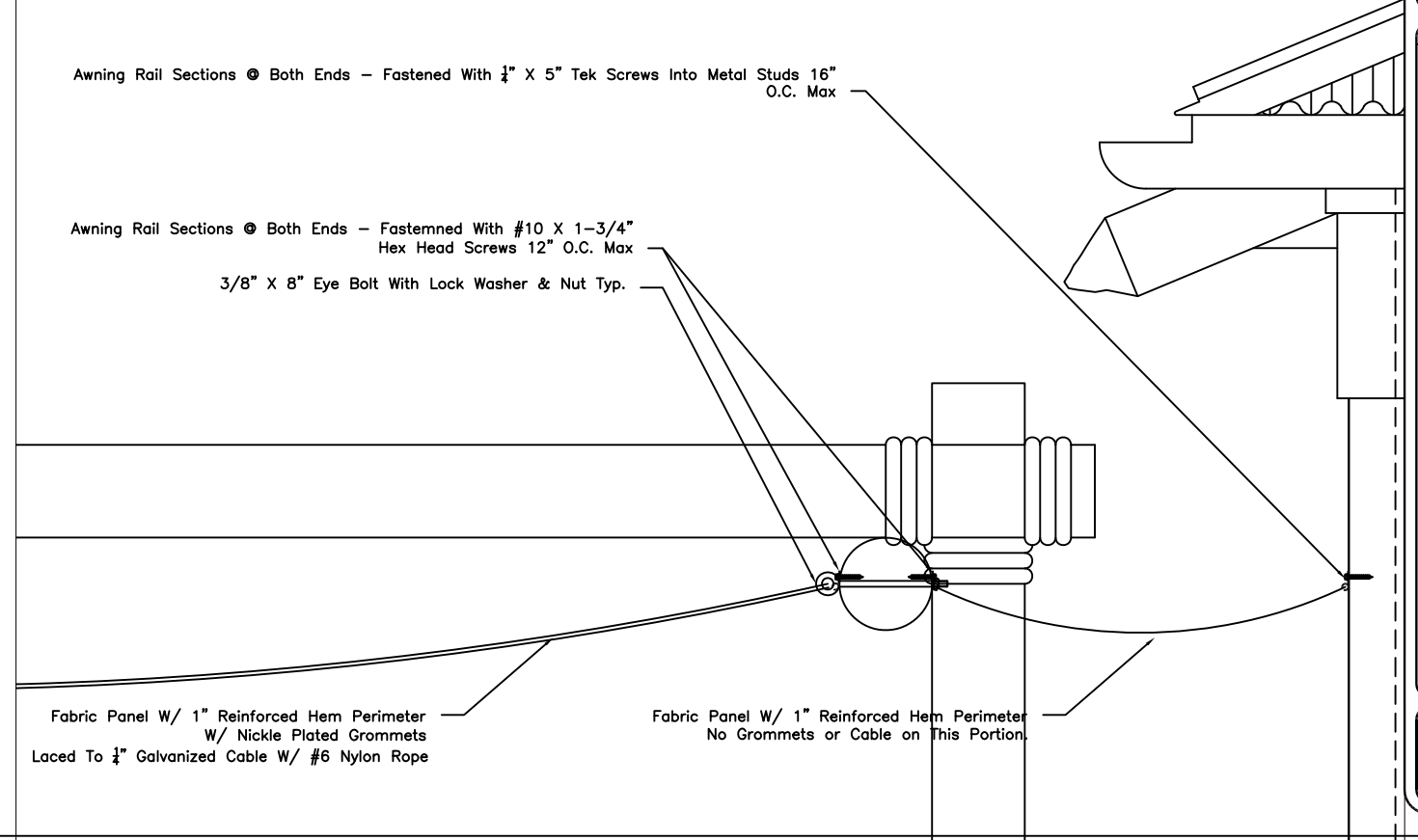


Restroom Cable Supported Fabric Canopy - V.I.F. Prior To Fabrication - QTY: 1

Top Connection View
Scale: 1" = 1'



Side Connection View
Scale: 1" = 1'



Client Name & Project



Wichman Construction
5029 W. Grace Street
Tampa Florida 33607

Structural Engineer

Brian S. Reed
769 42 Ave N.
St. Pete FL 33703
727-522-0853

Manufacturer Name and Address

AWNING WORKS Inc.
14115 68th Way N. - Clearwater, FL 33766
Tel: 727-524-1118 - Fax: 727-524-3110
www.awningworksinc.com

Building Notes

Welded Extruded Aluminum Frame & Components
All Work In Accordance With Local Codes
All Fabric Fire Treated By: Glen Raven Approved Application
Open Enclosure Classification: Bldg Category II, IFL/J, Open Design Pressure = -27.9 P.S.F.
Fabric Design Per F.B.C. 2007 - Fabric Membrane 75 M.P.H. W/ 3 Sec. Gust of 90 M.P.H. Importance Factor .77 - Exp. B
Welded Connections Fully Welded (3) unless minimum
Awning Works Inc. & The Engineer on record are solely responsible for the design of these Pre-Engineered Products and
the installation of these Pre-Engineered Products
Provided By Awning Works Inc. and Super Structure design shall be the responsibility of others

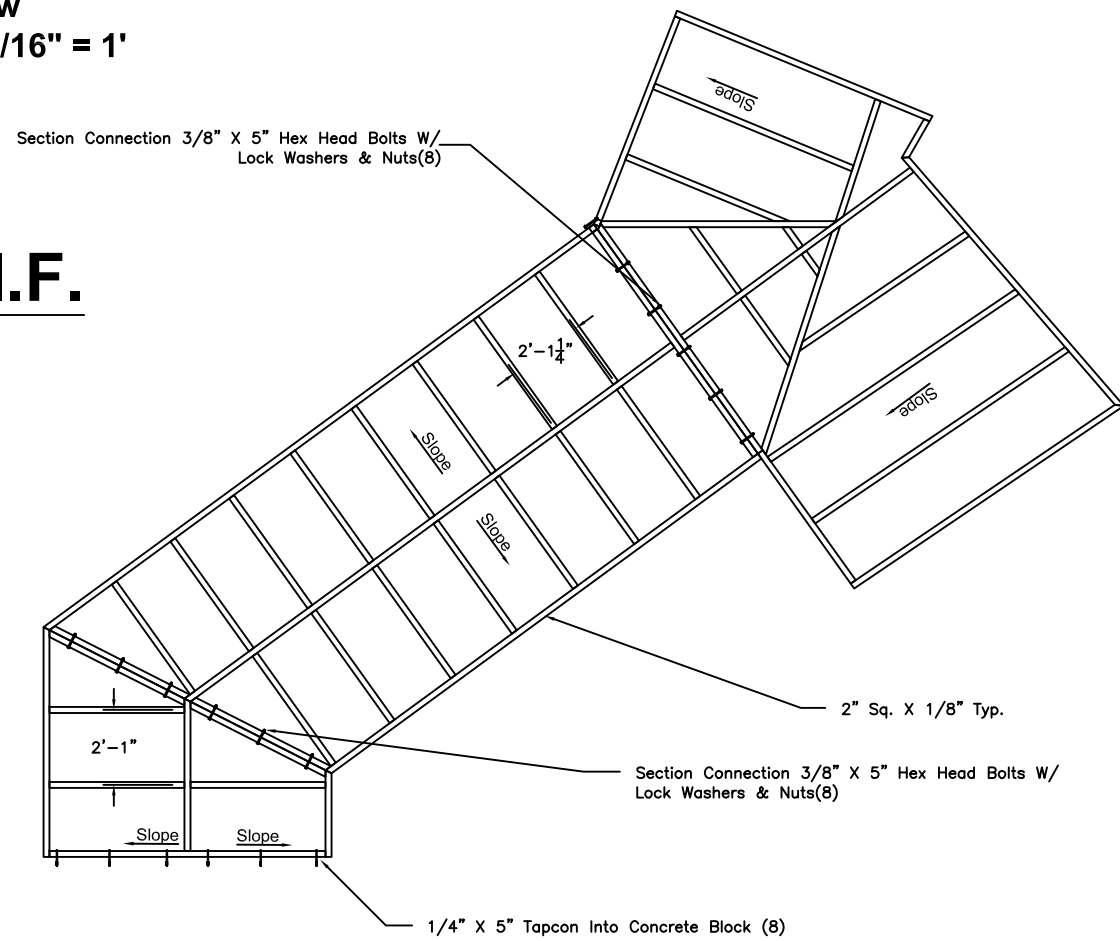
Date: 12/1/2009

Sheet: 3

File: 8.05-12-09-restroom_awning.dwg

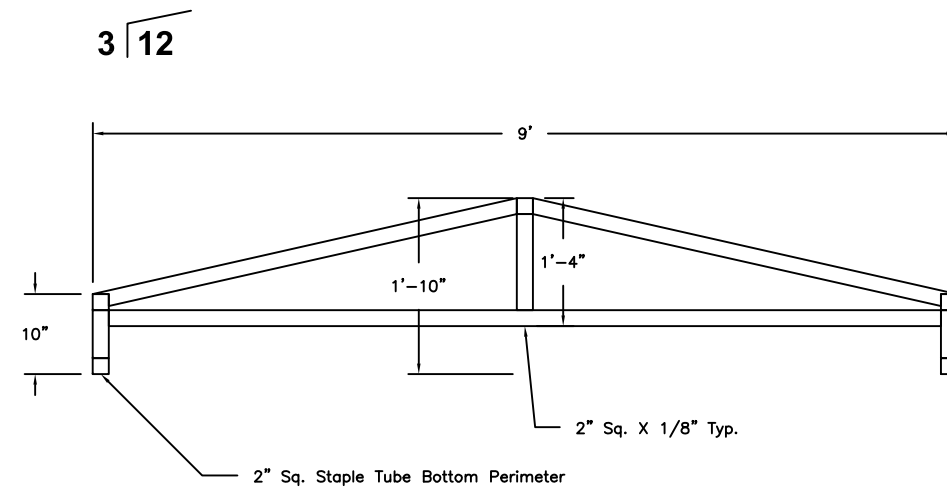
Top View
Scale: 3/16" = 1'

V.I.F.



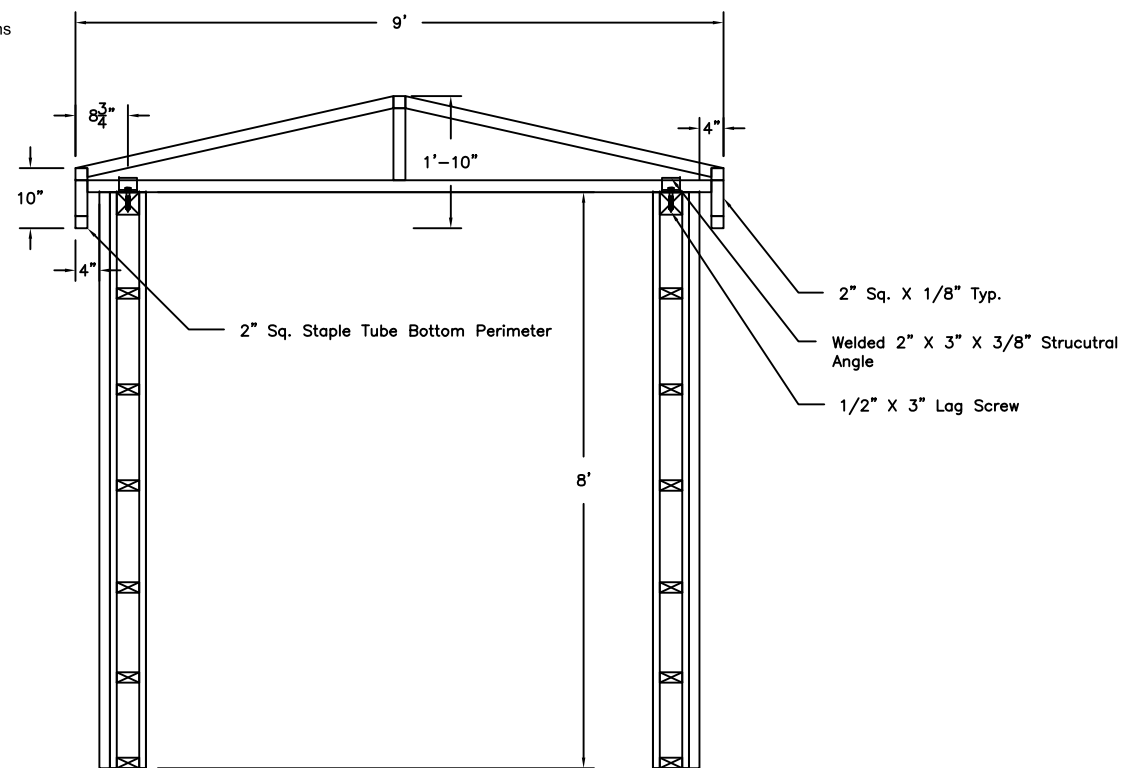
Truss View (5)
Scale: 1/2" = 1'

V.I.F.



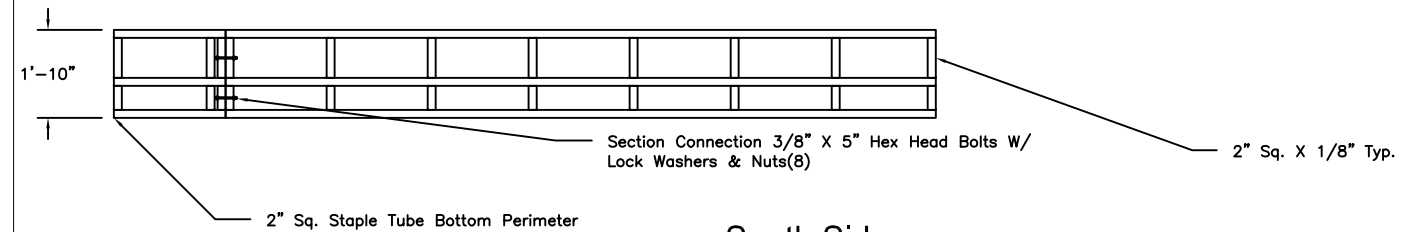
Building 15 Connection To Building 30 - V.I.F. Prior To Fabrication - QTY: 1 - Frame - RAL 8025 (TERRA BROWN) - Fabric: TBD

Typical Connection @ 5 Locations

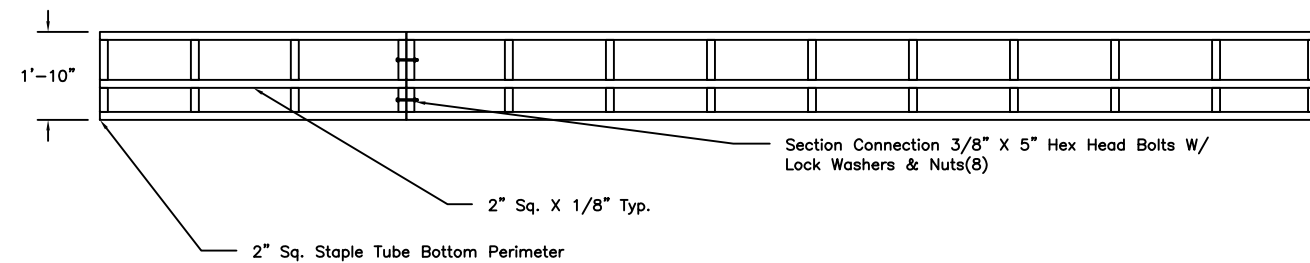


End View
Scale: 3/8" = 1'

North Side



South Side



Side Views
Scale: 1/4" = 1'

Client Name & Project

Busch GARDENS.
2010
Expansion

Wichman Construction
5029 W. Grace Street
Tampa Florida 33607

Structural Engineer

Brian S. Reed
769 42 Ave N.
St. Pete FL 33703
727-522-0853

Manufacturer Name and Address

AWNING WORKS Inc.
14115 68th Way N. - Clearwater, FL 33766
Tel: 727-524-1118 - Fax: 727-524-3110
www.awningworksinc.com

Building Notes

Welded Extruded Aluminum Frame & Components
All Work In Accordance With Local Codes
Design Per F.B.C. 2007 - Fabric Membrane 75 M.P.H. W/3 Sec. Gust of 50 M.P.H. Importance Factor 77 - Exp. B
Welded Connections Fully Welded (3) sides minimum
Awning Works Inc. & The Engineer on record are solely responsible for the design of these Pre-Engineered Product and
Provided By Awning Works Inc. and Super Structure design shall be the responsibility of others

Date

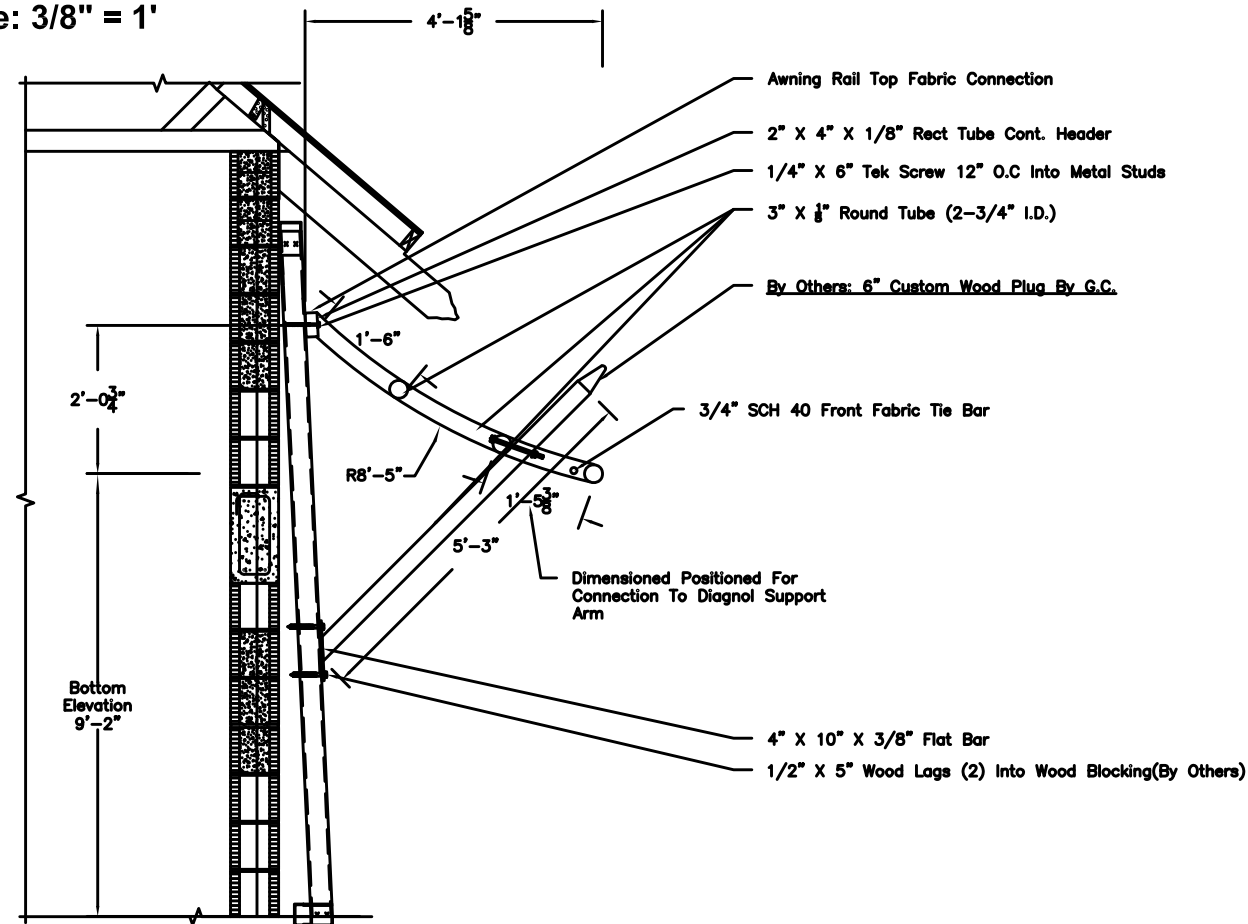
12/1/2009

Sheet

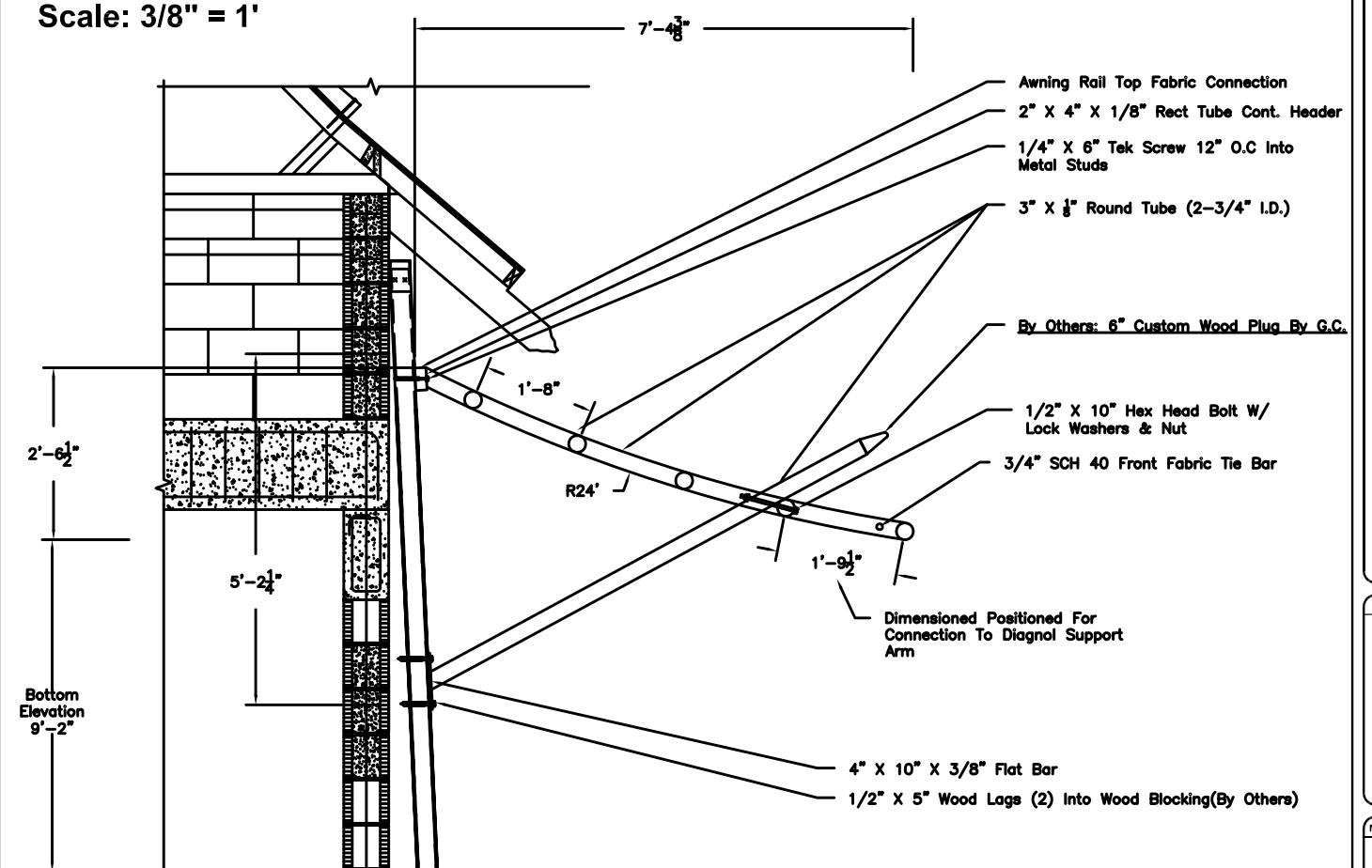
2

File

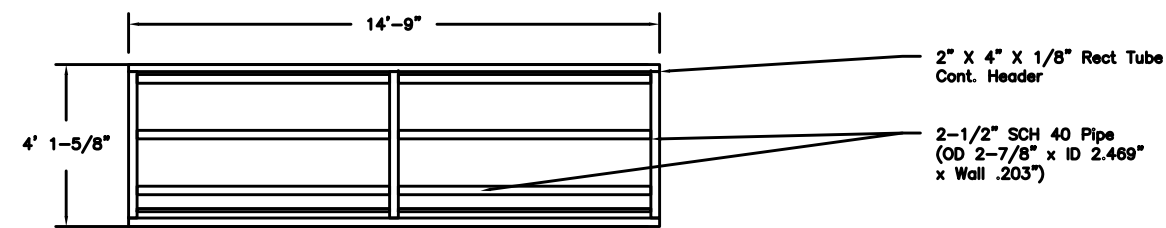
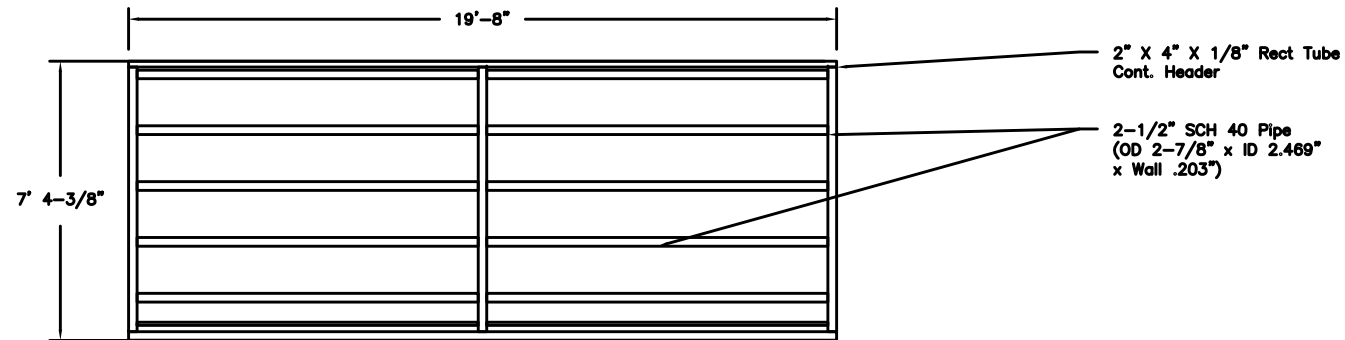
Side View
Scale: 3/8" = 1'



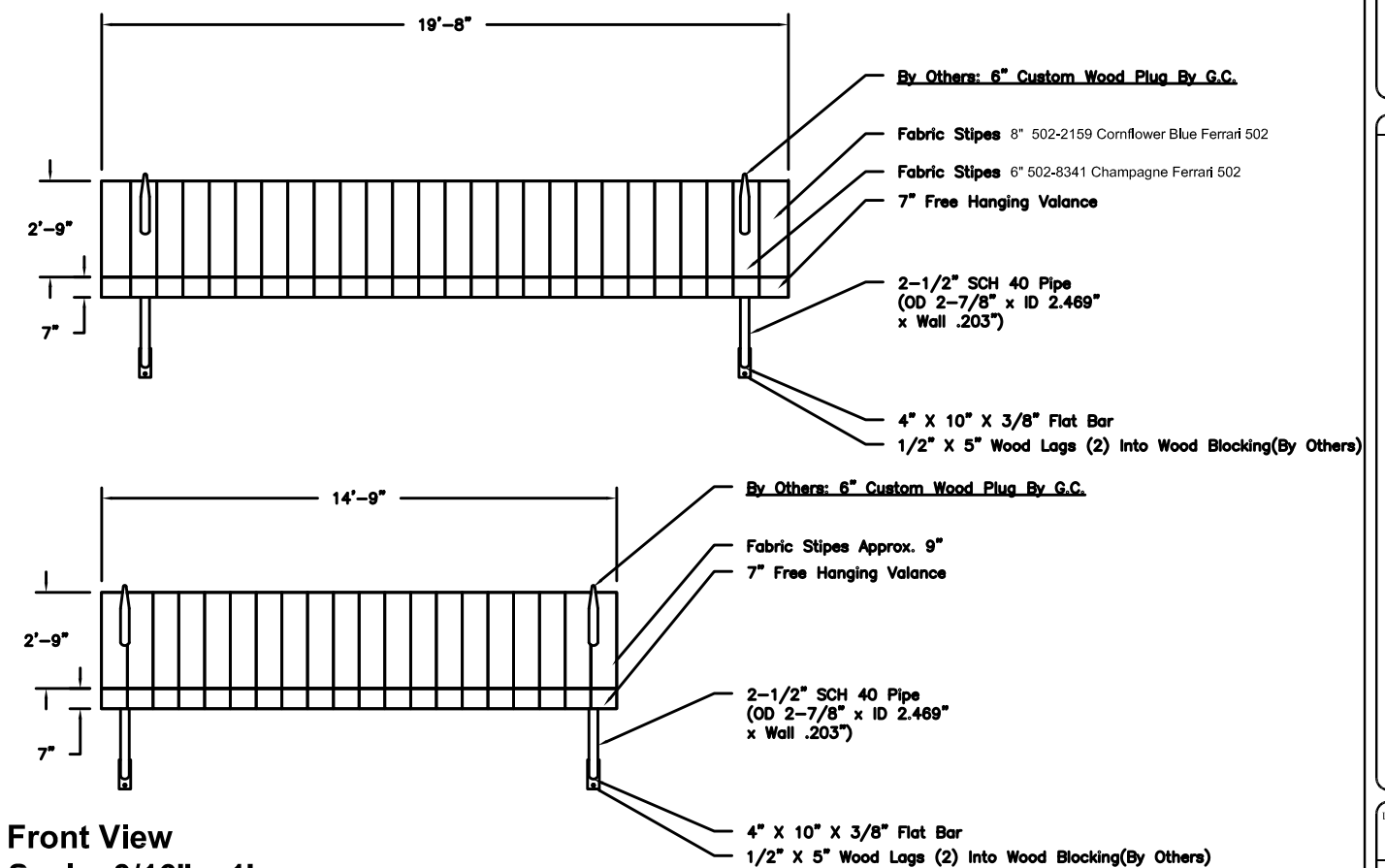
Side View
Scale: 3/8" = 1'



Building 15 - V.I.F. Prior To Fabrication - QTY: 1 Ea - Fabric Ferrari 502 6" 502-8341 Champagne, 8" 502-2159 Cornflower Blue - Frame RAL8025 (TERRA BROWN)



Top Frame View
Scale: 3/16" = 1'



Front View
Scale: 3/16" = 1'

Client Name & Project



Wichman Construction
5029 W. Grace Street
Tampa Florida 33607

Structural Engineer

Brian S. Reed
769 42 Ave N.
St.Pete FL 33703
727-522-0853

Manufacturer Name and Address

AWNING WORKS Inc.
14115 68th Way N. - Clearwater, FL 33766
Tel: 727-524-1118 - Fax: 727-524-3100
www.awningworksinc.com

Building Notes

Welded Extruded Aluminum Frame & Components
All Work in Accordance With Local Codes
AS - Welds 100 M.P.H. W/3 Sec. Gust. Exp. C
Open Endurance Classification, Bldg. Category II, Int. L.J. Open Design Pressures = -27.3 P.S.F.
Fabric Design Per F.B.C. 2007 - Fabric Membrane 75 M.P.H. W/3 Sec. Gust of 90 M.P.H. Importance Factor .77 - Exp. B
Welded Connections Fully Welded (3) sides minimum
Awning Works Inc. & The Engineer on record are solely responsible for the design of these Pre-Engineered Product and
the structural integrity of the structure. The responsibility of the design of these Pre-Engineered Products
Provided By Awning Works Inc. and Super Structure design shall be the responsibility of others